


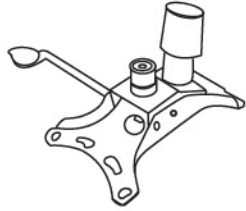
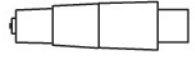





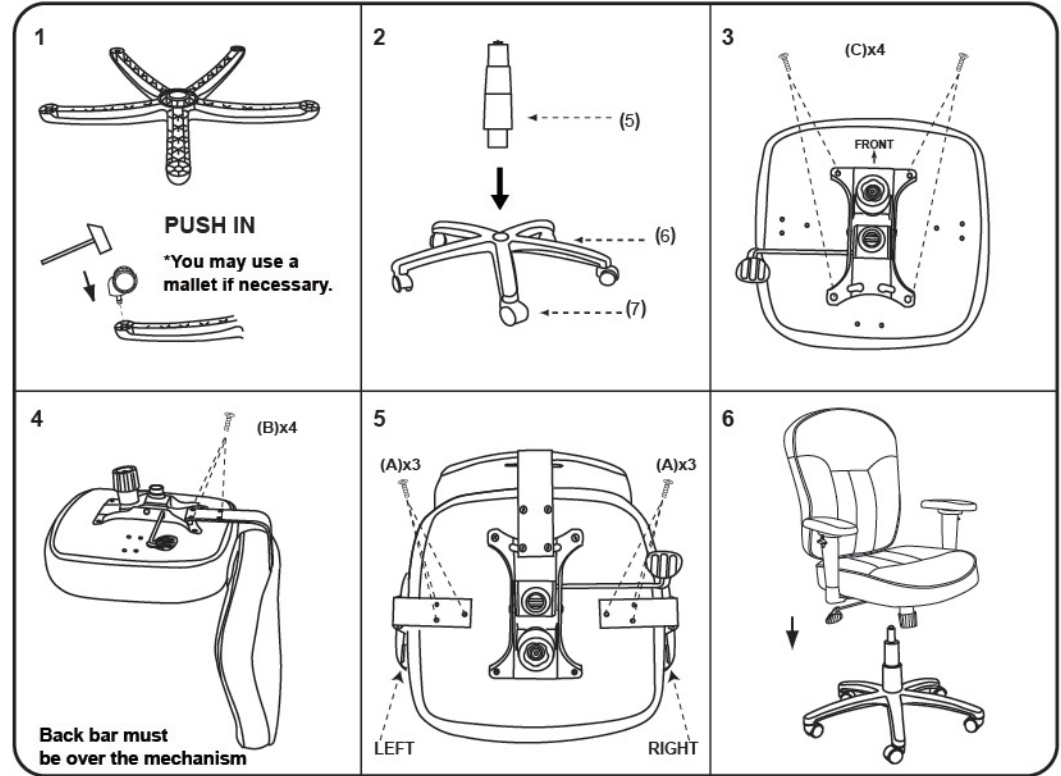


**IMPORTANT NOTICE:  
HARDWARE PACKAGE IS ATTACHED  
ON THE BOTTOM OF SEAT CUSHION.**

MODEL: 1560 1561 1562 1570 1571 1572

(1)x1  Back	(2)x1  Seat	(3)x1 (L)x1 (R)  1561&1562 ARM
(4)x1  Mechanism	(5)x1  Gas Lift	(6)x1  Base
(7)x5  Casters	(A)x6  M6*30 ARM SCREW (B)x4  M8*30 L-BAR SCREW (C)x4  M8*22 MECHANISM SCREW	



**Insert and loosely tighten all screws. When assembly is completed, fully tighten all screws before using. This chair is only intended for sitting. Any other use will void the warranty.**

**If the chair is not working properly, is missing a part, is damaged, or if you have any questions, please call customer service hotline before returning.**