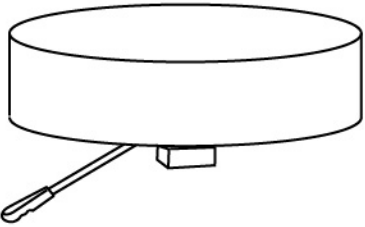

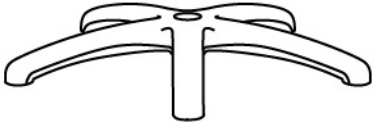
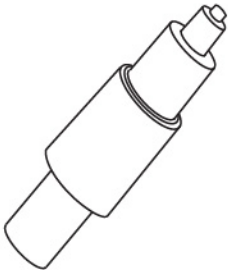
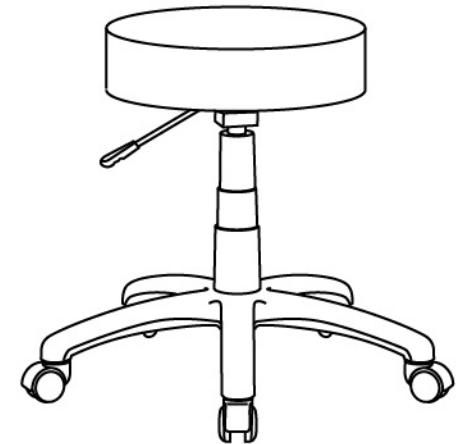
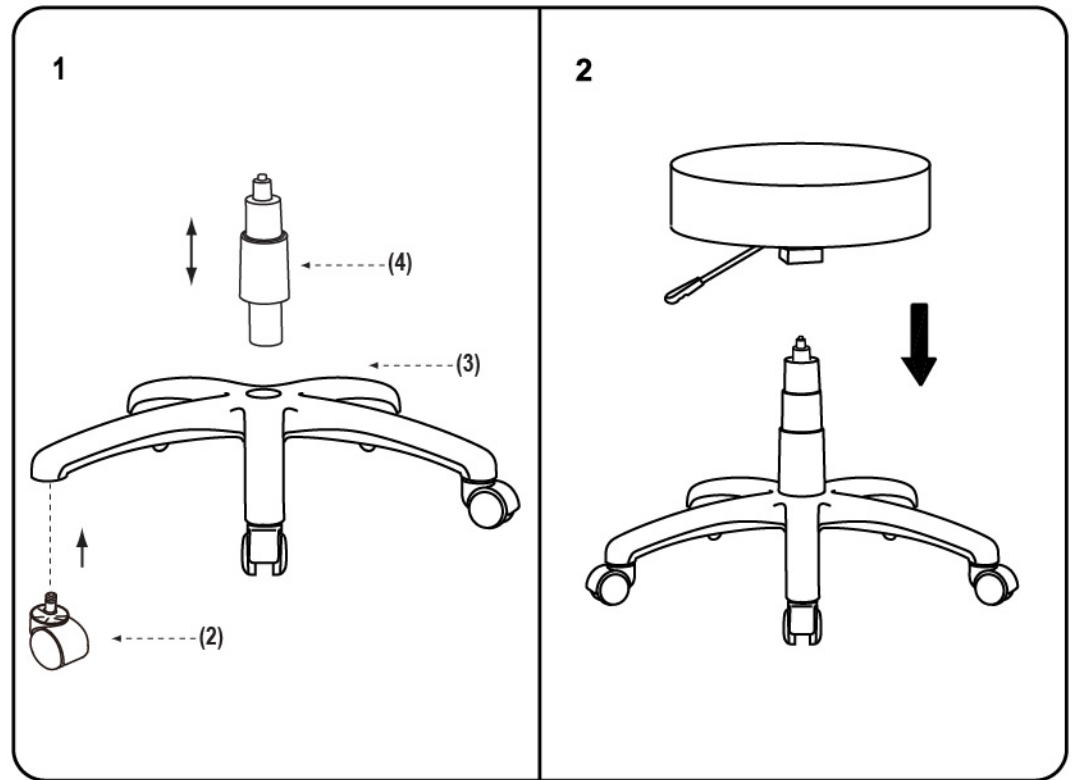


MODEL: B210

| | |
|---|--|
| <p>(1)x1</p>  <p>Seat Cushion & mechanism</p> | <p>(2)x5</p>  <p>Casters</p> |
| <p>(3)x1</p>  <p>Base</p> | <p>(4)x1</p>  <p>Gas Lift W/ Cover</p> |



Insert and loosely tighten all screws. When assembly is completed, fully tighten all screws before using. This chair is only intended for sitting. Any other use will void the warranty.