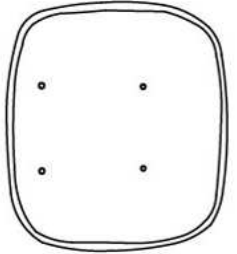
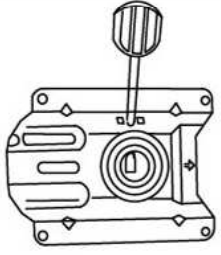


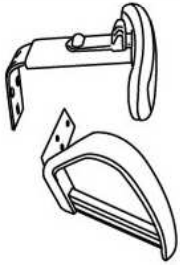
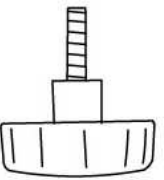
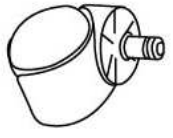
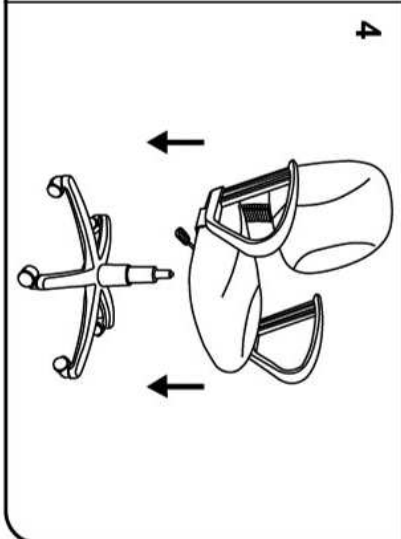
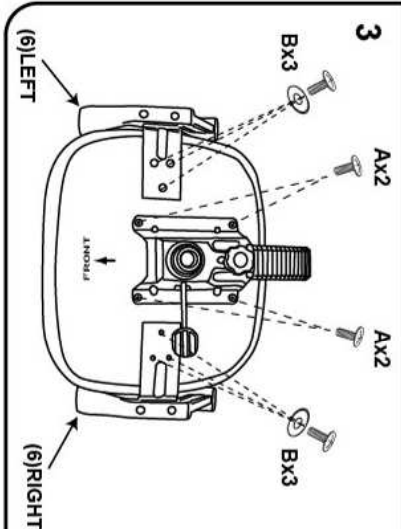
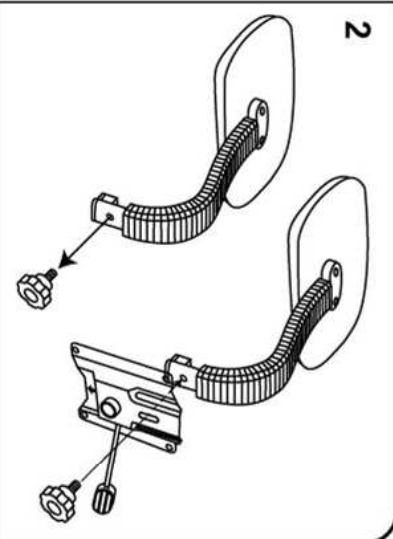
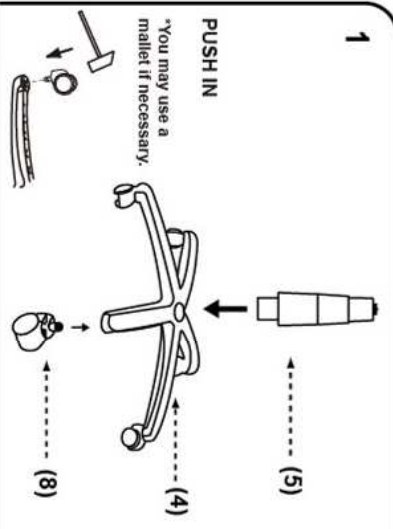
 <p>Back Cushion Back Support W/ Bellow (4)x1</p>	 <p>Seat Cushion (5)x1</p>	 <p>TU001-305 / mechanism (6)X1(L) X1(R)</p>
 <p>TU005-305 - Nylon Base (7)X1</p>	 <p>TU026-305-Gas Lift (8)X5</p>	 <p>B316 / B317 Arms</p>
 <p>TU305-Knob/Knob</p>	 <p>TU015-Casters</p>	<p>(A)*4 M8*22 Mechanism Screws (B)*6 M6*28 Arm screws for B306, B316, B307, B317</p>



Insert and loosely tighten all screws. When assembly is completed, fully tighten all screws before using. This chair is only intended for sitting. Any other use will void the warranty.

