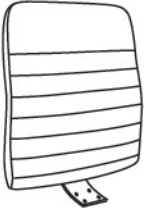





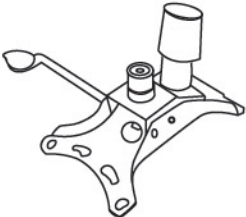


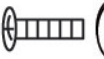
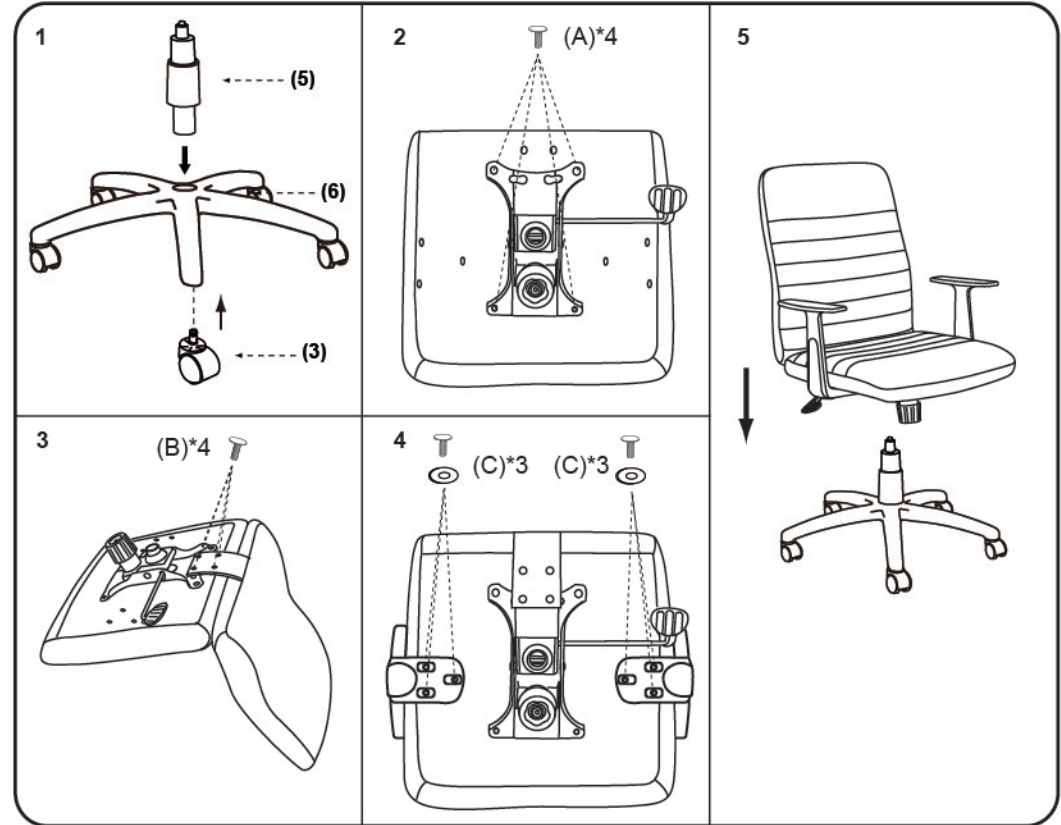


**IMPORTANT NOTICE:
HARDWARE PACKAGE IS ATTACHED
ON THE BOTTOM OF SEAT CUSHION.**

MODEL : B430 B431

| | | |
|--|---|---|
| (1)x1  BACK | (2)x1  SEAT | (3)x5  CASTERS |
| (4)x1 (L)x1 (R)  LARM LEFT ARM RARM RIGHT ARM | (5)x1  GAS LIFT | (6)x1  BASE |
| (7)x1  MECHANISM | <p>(A)x4  M8*22 MECHANISM SCREW</p> <p>(B)x4  M8*30 L-BAR SCREW</p> <p>(C)x8  M6*30 ARM SCREW</p> | |



B430



B431

Insert and loosely tighten all screws. When assembly is completed, fully tighten all screws before using. This chair is only intended for sitting. Any other use will void the warranty.