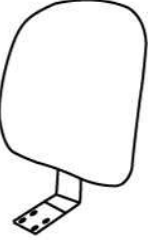
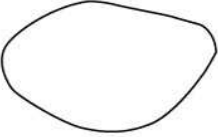

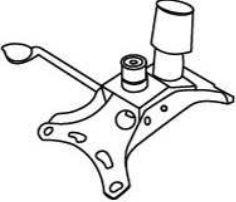
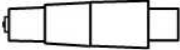


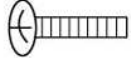
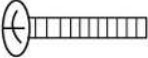
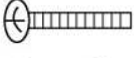
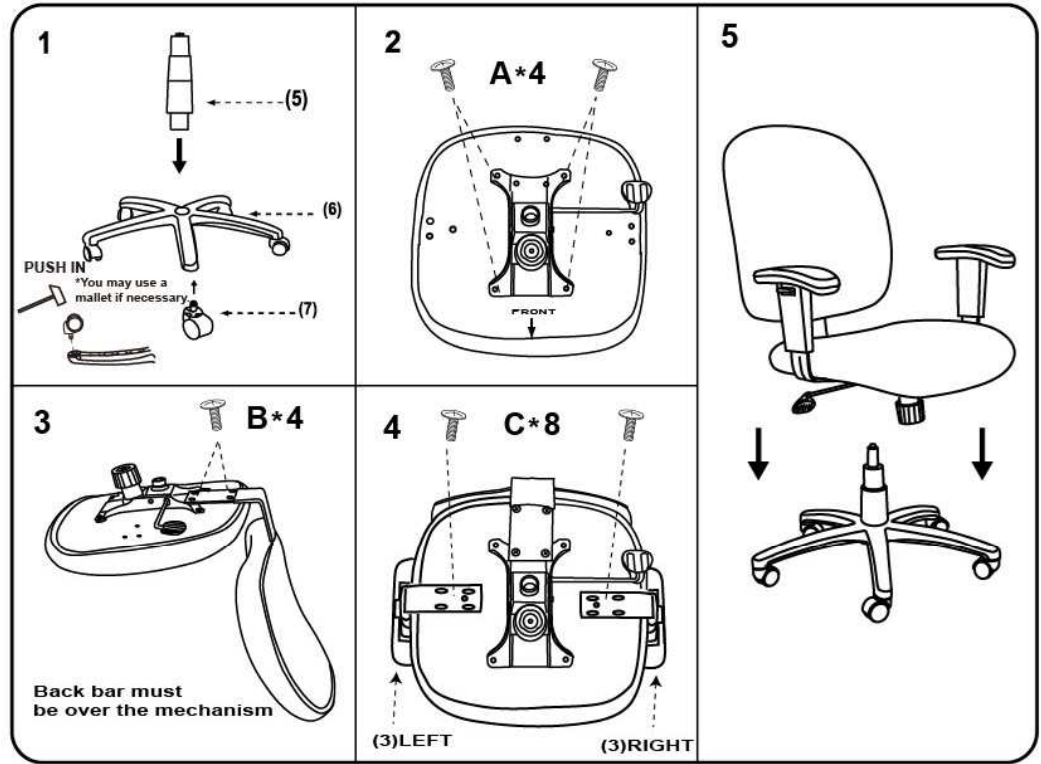


**IMPORTANT NOTICE:
HARDWARE PACKAGE IS ATTACHED
ON THE BOTTOM OF SEAT CUSHION.**

MODEL: B495 Series

| | | |
|--|---|---|
| (1)x1  Back Cushion | (2)x1  Seat Cushion | (3)x1 (L)x1 (R)  Left- Arm Right- Arm |
| (4)x 1  TU001 Mechanism | (5)x1  TU026 Gas Lift W/ Cover | (6)x1  Base TU005-305 |
| (7)x 5  Caster TU015 | <p>(A)*4  M8*22 Mechanism Screws</p> <p>(B)*4  M8*30 Back Bar Screws</p> <p>(C)*8  M6*28 Arm Screws</p> | |



Insert and loosely tighten all screws. When assembly is completed, fully tighten all screws before using. This chair is only intended for sitting. Any other use will void the warranty.



Customer Service Hotline: 1-800-593-1888 For further assembly instructions, please visit our website at www.bosschair.com

01/18

2016-44#技术变更: B495和O-495椅子扶手螺丝

由原来: M6*25耐落十字大扁头 8颗;

变更为: M6*28耐落十字大扁头 8颗。