

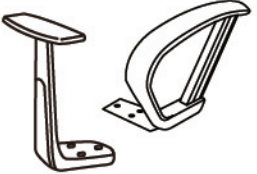
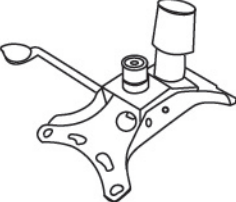






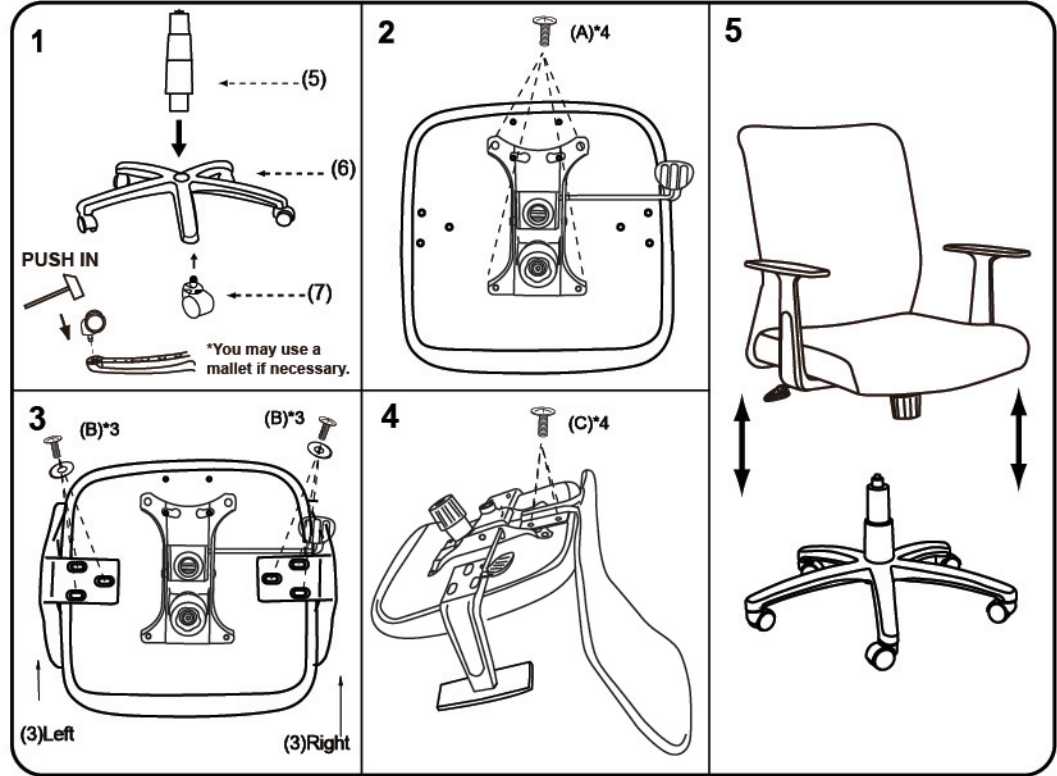


**IMPORTANT NOTICE:
HARDWARE PACKAGE IS ATTACHED
ON THE BOTTOM OF SEAT CUSHION.**

MODEL: B6105 B6106 B6107

(1)x1  Back Cushion	(2)x1  Seat Cushion	(3)x1 (L)x1 (R)  Left-Arm Right-Arm
(4)x 1  Mechanism	(5)x1  Gas Lift	(6)x1  Nylon Base
(7)x 5  Casters		
(A)x4  M8*22 MECHANISM SCREW		
(B)x6  M6*30 ARM SCREW		
(C)x4  M8*25 L-BAR SCREW		



Insert and loosely tighten all screws. When assembly is completed, fully tighten all screws before using. This chair is only intended for sitting. Any other use will void the warranty.

