

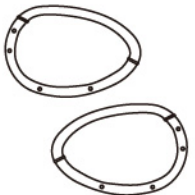
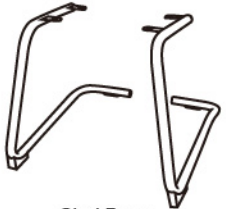





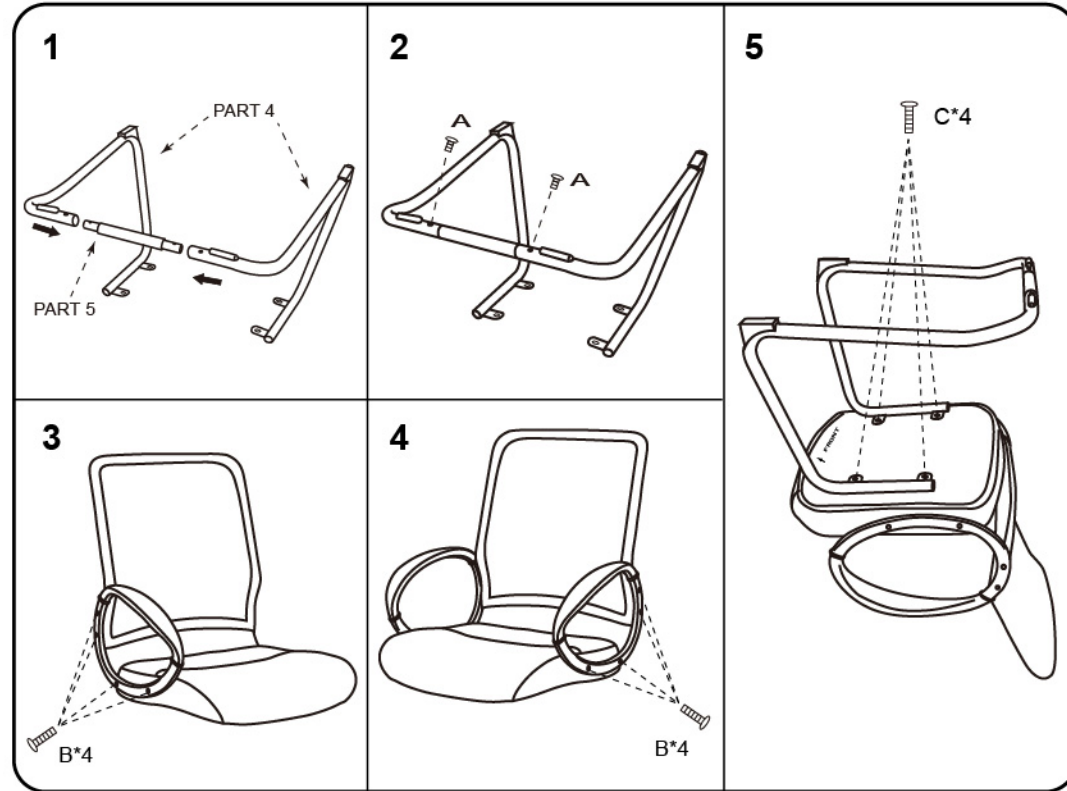


**IMPORTANT NOTICE:
HARDWARE PACKAGE IS ATTACHED
ON THE BOTTOM OF SEAT CUSHION.**

MODEL : 6409

| | | | |
|--|---|---|--|
| (1)x1 | (2)x1 | (3)x1 (L)x1 (R) | |
|  |  |  | |
| Back Cushion | Seat Cushion | Left & Right-Arm | |
| (4)x1 | (5)x1 | (6)x1 | |
|  |  | | |
| Sled Base | Connecting Bar | | |
| (A)x2 |  | M6 X 16 | CONNECTING BAR SCREW (Please find these 2 screws on sled base.) |
| (B)x8 |  | M6 X 30 | ARM SCREW |
| (C)x4 |  | M6 X 22 | SLED BASE / SEAT SCREW |
| (D)x1 |  | | ALLEN KEY |



Insert and loosely tighten all screws. When assembly is completed, fully tighten all screws before using. This chair is only intended for sitting. Any other use will void the warranty.

