

Thank you for purchasing our product.

Please read this assembly instruction sheet before you begin to assemble this product. Make sure that all the parts listed on this sheet are included in the carton. This will make the assembly process quicker.

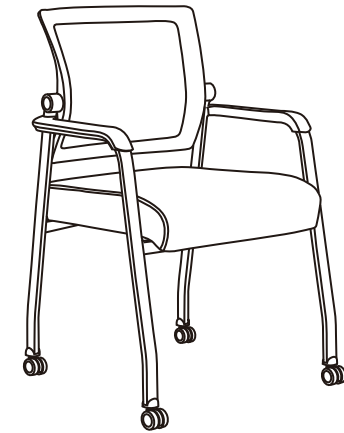
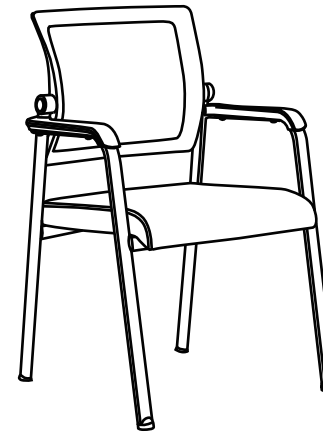
For missing, damaged or defective parts, simply scan the QR code below and follow the instructions for warranty service.

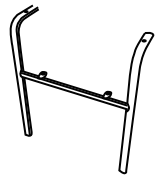
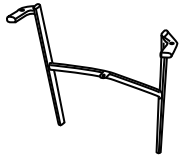
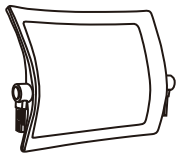

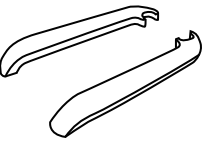
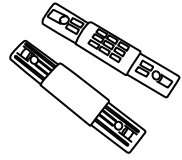
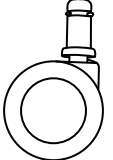





B6889-BK ASSEMBLY



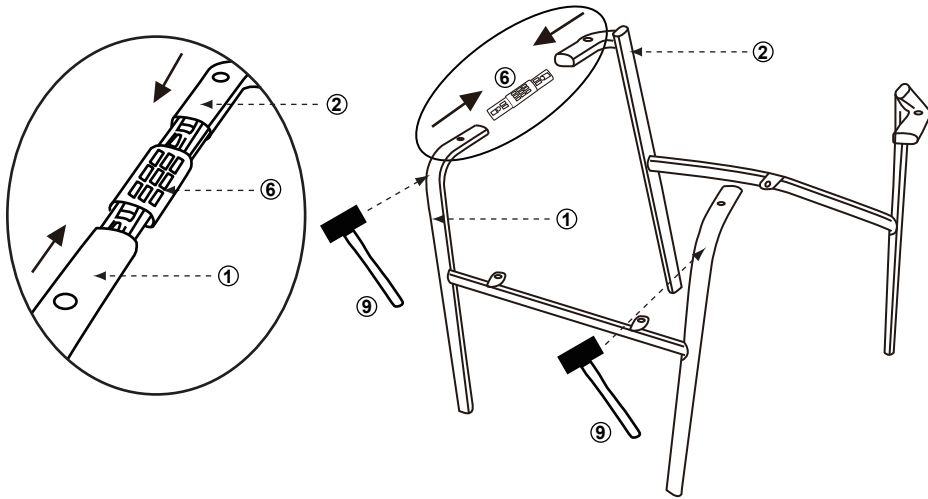
MODEL : B6889 B6889R



①x1  Front Frame	②x1  Back Frame	③x1  Back	④x1  Seat
⑤x1  Arm Pads	⑥x1  Frame connector	⑦x4  Casters for B6889R	⑧x3  M6x22 (Seat Cushion) ⑨x1  ⑩x4  M6x18 (Arm Pads)

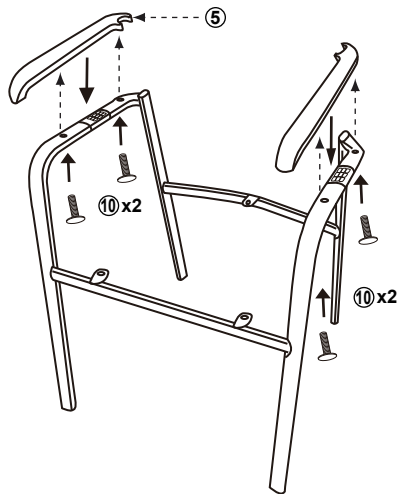
1

Insert frame connector so holes are on top



2

Screw in arm pads

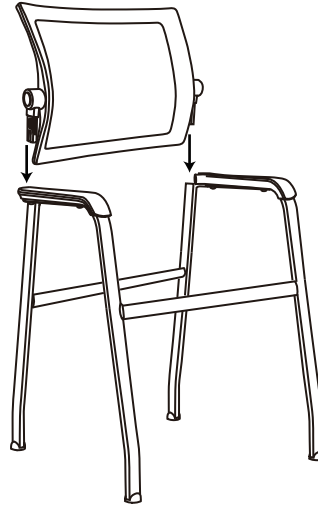


3

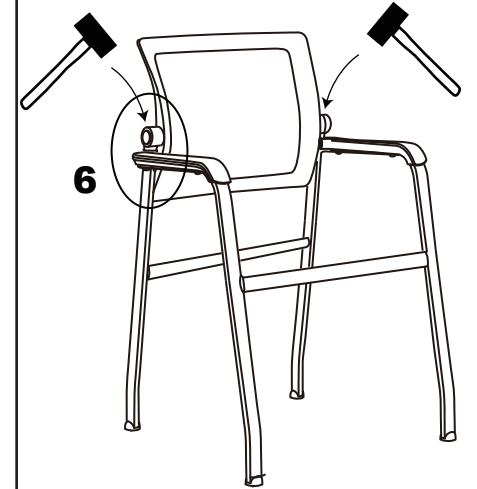
Place on level surface



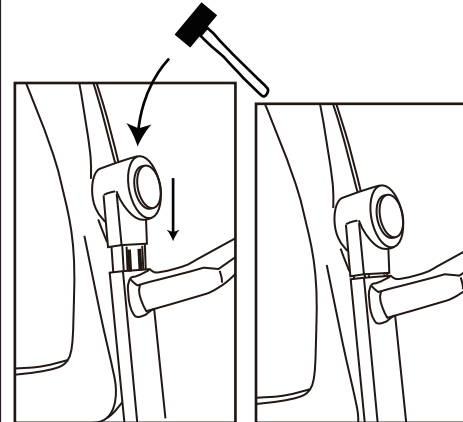
4 Slide back into frame



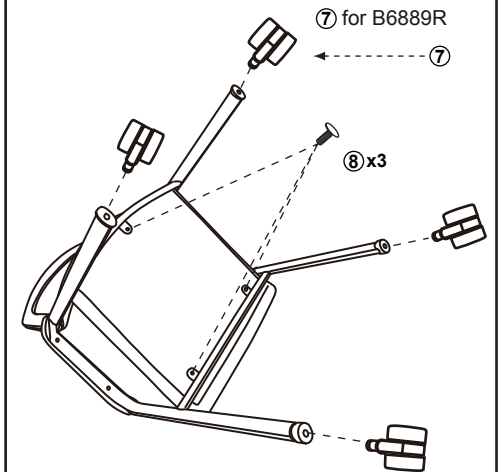
5 Use rubber mallet take turns tapping both sides evenly so they are level



6



7 Insert screws



Insert and loosely tighten all screws. When assembly is completed, fully tighten all screws before using. This chair is only intended for sitting. Any other use will void the warranty.

