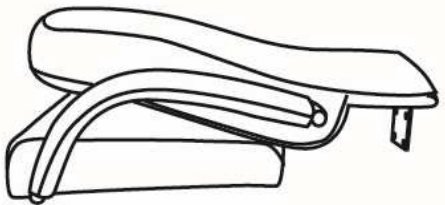

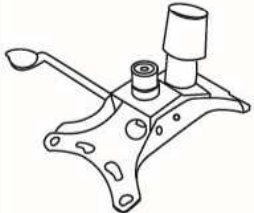
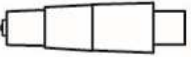

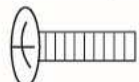
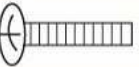




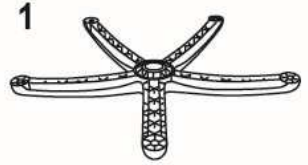
**IMPORTANT NOTICE:
HARDWARE PACKAGE IS ATTACHED
ON THE BOTTOM OF SEAT CUSHION.**

MODEL : B7401 7406


(1)x1		(2)x5	
			
Back & Seat W/ ARMS		Caster	
(3)x1	(4)x1	(5)x1	
			
Mechanism		Gas Lift W/ Cover	
(A)*4PCS		M8*22 MECHANISM SCREW	
(B)*4PCS		M6*30 BACK BAR SCREWS	
(C)*4PCS		ARM CAP	
(D)*1PC		ALLEN KEY	

Insert and loosely tighten all screws. When assembly is completed, fully tighten all screws before using. This chair is only intended for sitting. Any other use will void the warranty.

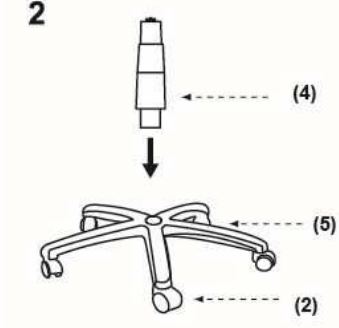
1



PUSH IN
*You may use a mallet if necessary.



2

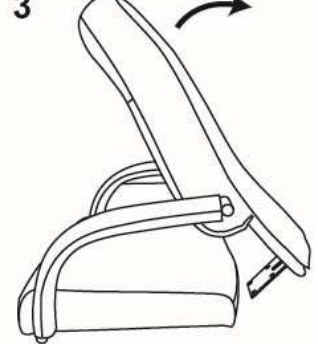


(4)

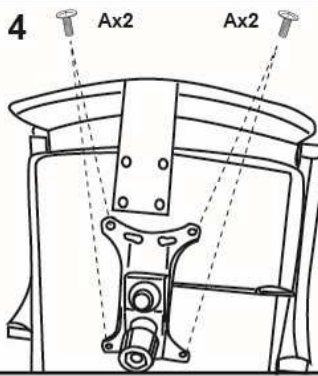
(5)

(2)

3

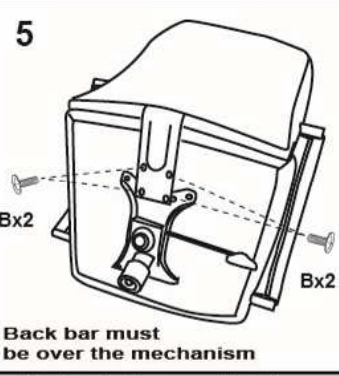


4



Ax2 Ax2

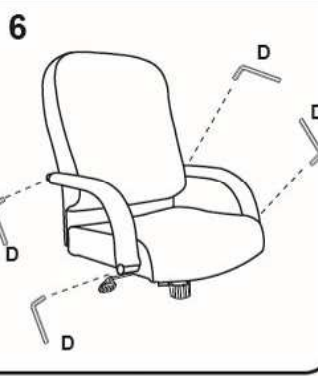
5



Bx2 Bx2

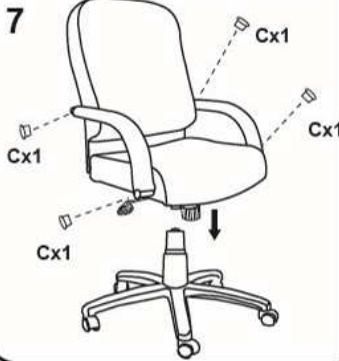
Back bar must be over the mechanism

6



D D

7



Cx1 Cx1 Cx1

Note: Please tighten all arm screws using allen key before step 7

