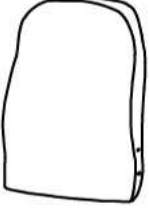

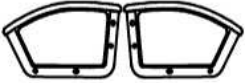
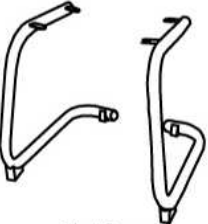
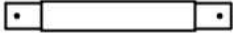

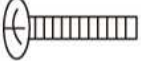
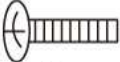

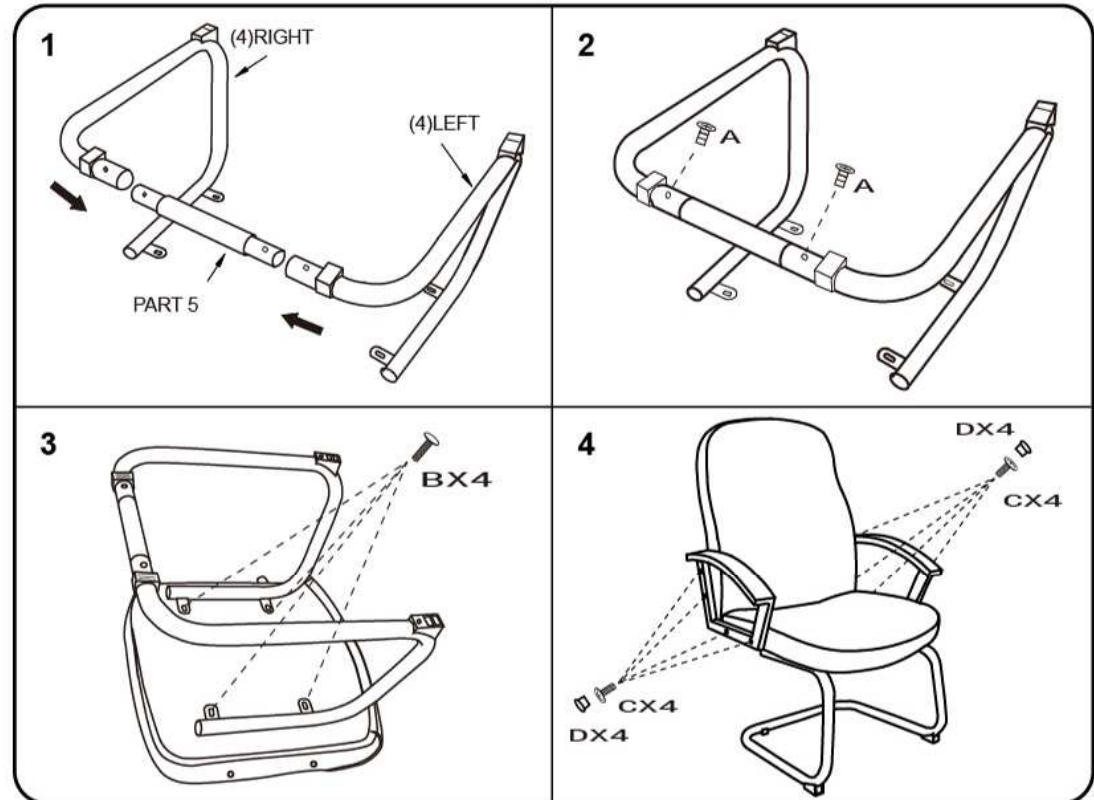


**IMPORTANT NOTICE:  
HARDWARE PACKAGE IS ATTACHED  
ON THE BOTTOM OF SEAT CUSHION.**

MODEL: B8109 B8309 B8509 B7309  
B7909 B7709 B7519 B7209 B7809

(1)x1	(2)x1	(3)x1 (L)x1 (R)
 Back	 Seat	 Right & Left Arm
(4)x1	(5)x1	
 Sled Base	 Connecting Bar	
(A)*2  <b>M6*14 CONNECTING BAR SCREW</b> (Please find these 2 screws on sled base.)		
(B)*4  <b>M6 X 22 SLED BASE SCREW</b>		
(C)*8  <b>M6 X 18 ARM SCREW</b>		
(D)*8  <b>ARM CAP</b>		



**Insert and loosely tighten all screws. When assembly is completed, fully tighten all screws before using. This chair is only intended for sitting. Any other use will void the warranty.**

