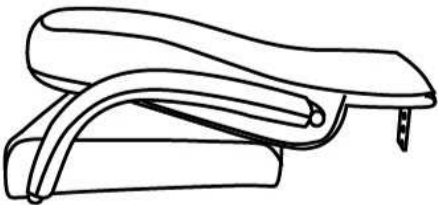
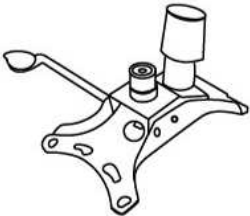
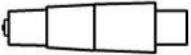

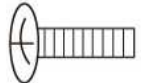
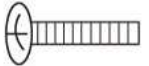


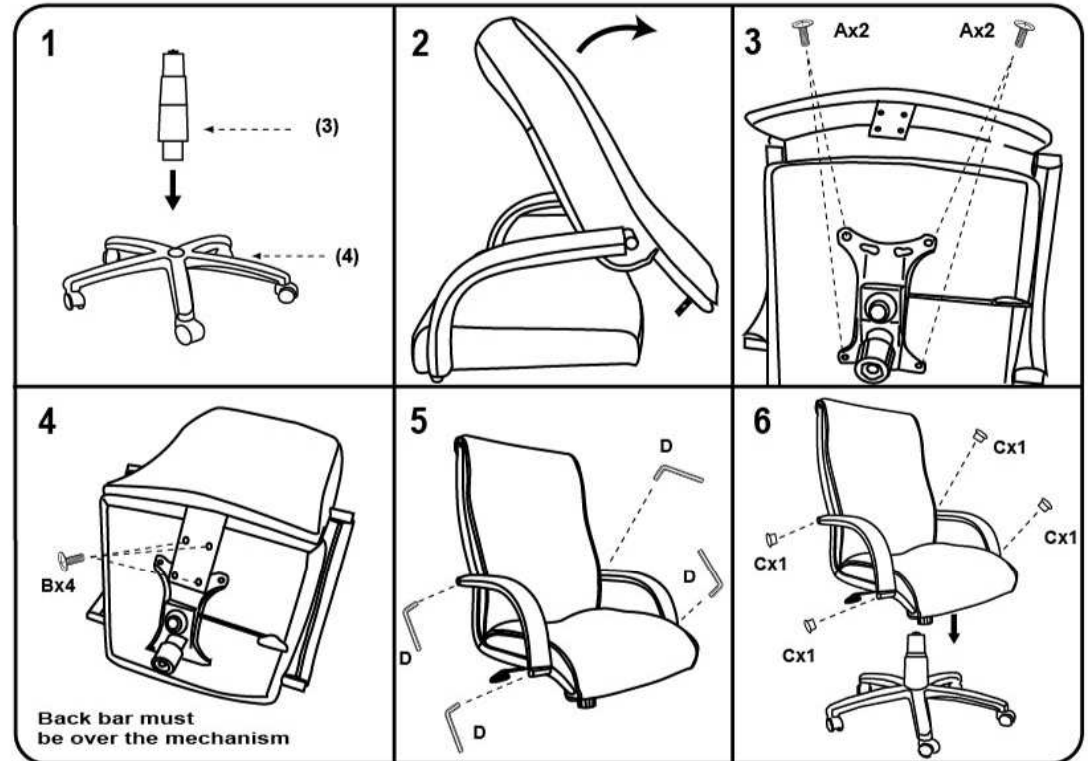


**IMPORTANT NOTICE:
HARDWARE PACKAGE IS ATTACHED
ON THE BOTTOM OF SEAT CUSHION.**

MODEL: B8376/B8386/B8901/B8906/B8911/B8912/HS1080 Series
1245 1265

(1)x1		
 <p>Back & Seat W/ ARMS</p>		
(2)x1	(3)x1	(4)x1
 <p>Mechanism</p>	 <p>Gas Lift W/ Cover</p>	 <p>5-Star Base</p>
(A)*4PCS		M8*22 MECHANISM SCREW
(B)*4PCS		M6*30 BACK BAR SCREWS
(C)*4PCS		ARM CAP
(D)*1PC		ALLEN KEY



Note: Please tighten all arm screws using allen key before step 6

Insert and loosely tighten all screws. When assembly is completed, fully tighten all screws before using. This chair is only intended for sitting. Any other use will void the warranty.



If the chair is not working properly, is missing a part, is damaged, or if you have any questions, please call customer service hotline before returning.