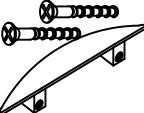
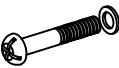
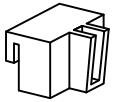

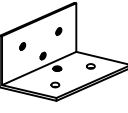


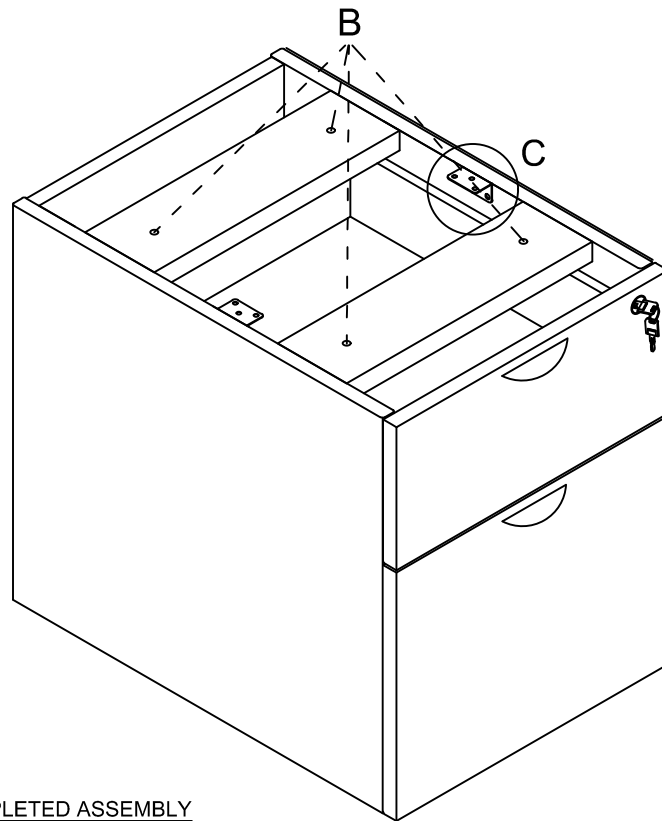
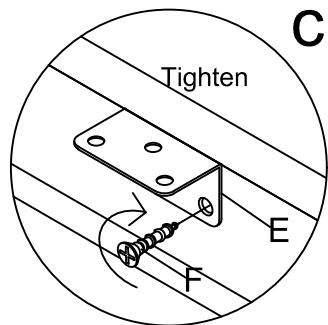
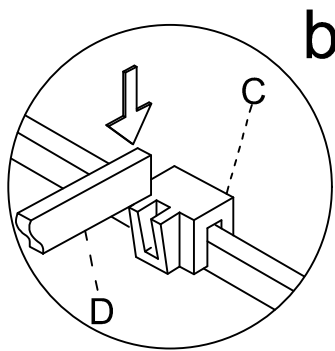
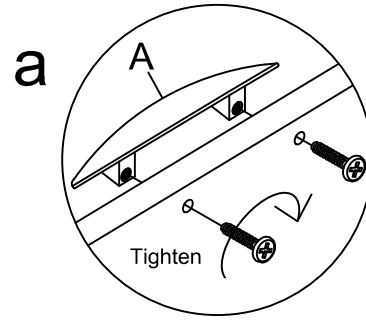
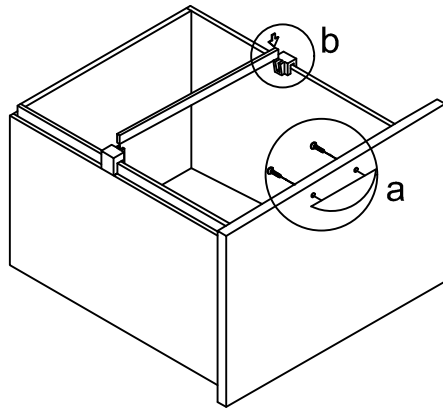


Assembly Instructions
MODEL NO.:N108
 BOX/FILE PEDESTAL

TUNO05MH	TUNO27SC	TUN001FC	TUN002AB	TUN013LB6	TUN014SC	TUN014SC
A  32mm Metal Scallop shape handle 2Set	B  Screw M6×40mm 4PcsPc (spare)	C  File Clip 2Pcs	D  297*16*3mm Aluminium Bar 1Pc	E  6 Hole L-Bracket 2 PCS	F  Screw #4**5/8" 12PCS+1Pc(spares)	G  Keys 1set



COMPLETED ASSEMBLY

IMPORTANT NOTE:

- Place all laminated parts on a clean and smooth surface such as a rug or carpet to avoid the parts from being scratched.
- Check to be sure that you have all parts and hardware.
- Remove all wrapping materials, including staples & packing straps before you start to assemble.
- Don't tighten all screws/bolts until all completely assembled.
- Keep all hardware parts out of reach of children
- If the product is not working properly, is missing a part, is damaged, or if you have any questions, please call customer service hotline before returning.
- Customer Service Hotline: 1-800-593-1888 For further assembly instructions, please visit our website at www.bosschair.com