






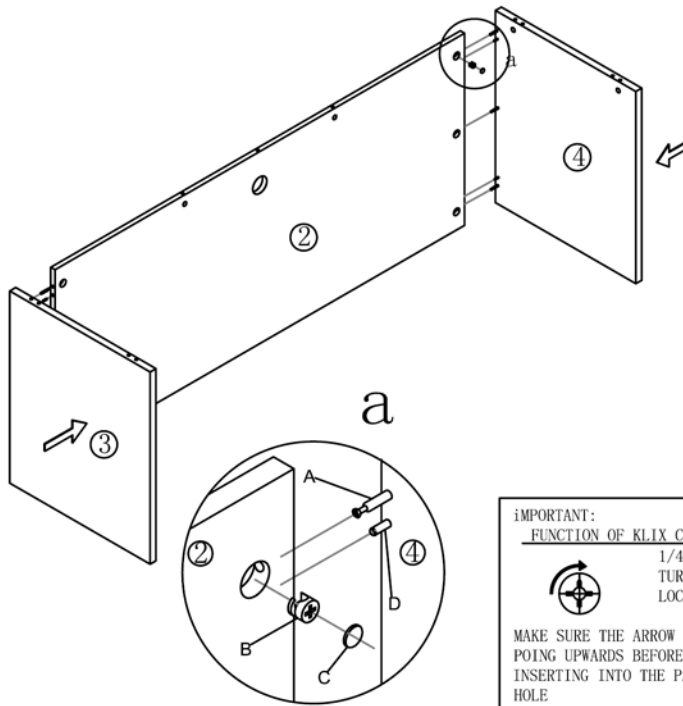


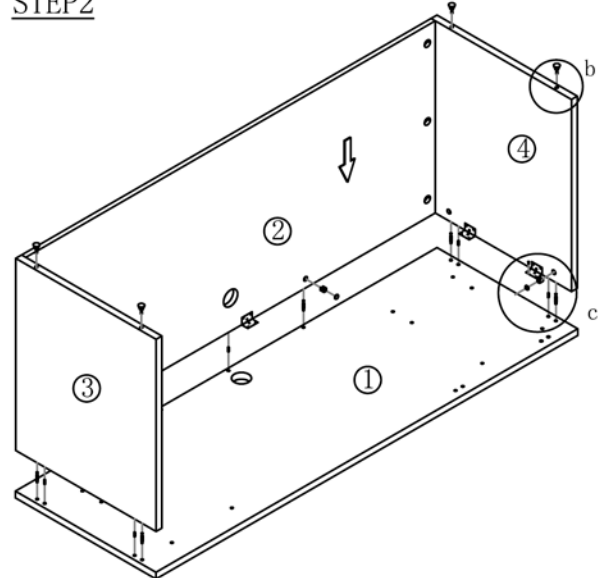
Assembly Instructions
MODEL NO.:N111
 CREDENZA SHELL


TUN010CL	TUN010KL	C	TUN026	TUN021AG	TUN013LB	TUN018SC
A 	B 	C 	D 	E 	F 	G 
Camlock 12Pcs+1Pc(spare)	Klix Cam 12Pcs+1Pc(spare)	Cam Cover 12Pcs+1Pc(spare)	Dowel 9Pcs+1Pc(spare)	Adjustable Glide 4 Pcs	6Hole L-Bracket 5Pcs	screw#4 30Pcs+4Pc(spare)

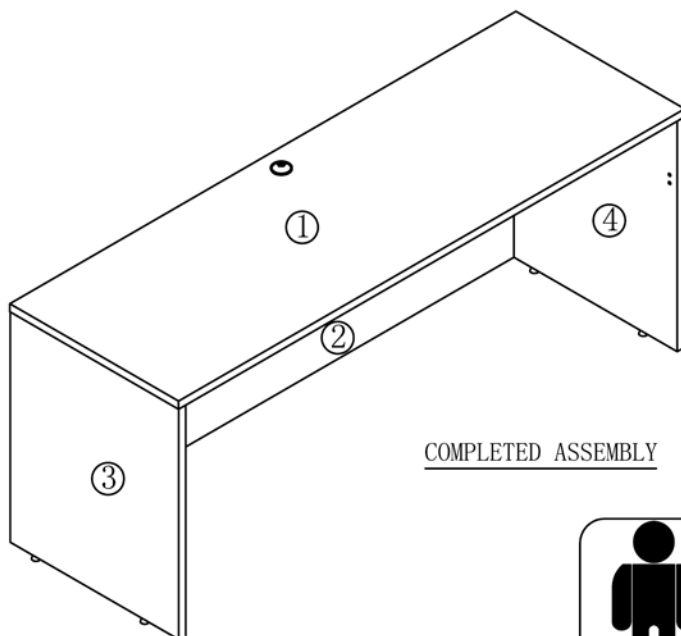
STEP1



STEP2



IMPORTANT:
FUNCTION OF KLIX CAX

 1/4 RIGHT
 TURN FOR
 LOCKING
 MAKE SURE THE ARROW IS
 POING UPWARDS BEFORE
 INSERTING INTO THE PANELS
 HOLE



COMPLETED ASSEMBLY



IMPORTANT NOTE:

- Place all laminated parts on a clean and smooth surface such as a rug or carpet to avoid the parts from being scratched.
- Check to be sure that you have all parts and hardware.
- Remove all wrapping materials, including staples & packing straps before you start to assemble.
- Don't tighten all screws/bolts until all completely assembled.
- Keep all hardware parts out of reach of children