


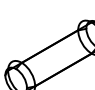


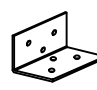
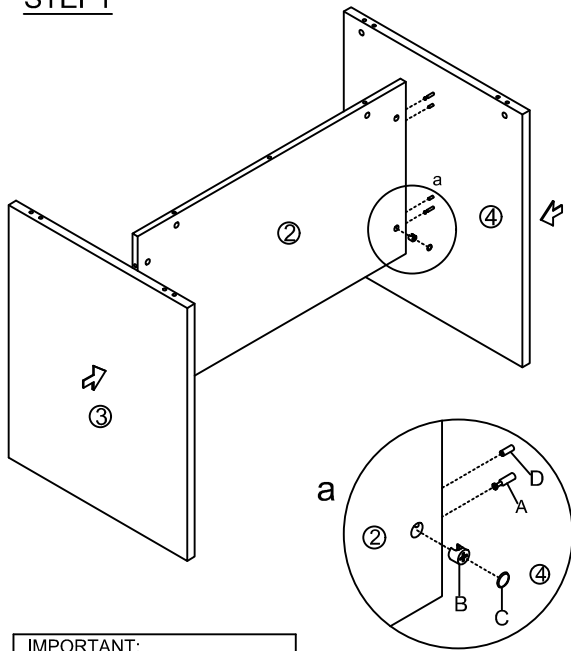



Assembly Instructions
MODEL NO.:N135
 R/T CONFERENCE TABLE

TUN010CL	TUN011KC	C	TUN026	TUN021AG	TUN018SC	TUN013LB
 Cam lock 10Pcs+1Pc(spare)	 Klix Cam 10Pcs+1Pc(spare)	 Cam Cover 10Pcs+1Pc(spare)	 Dowel 9Pcs+1Pc(spare)	 Adjustable Glide 4 Pcs	 screw#4""5/8" 30Pcs+1Pc(spare)	 6Hole L-Bracket 5Pcs

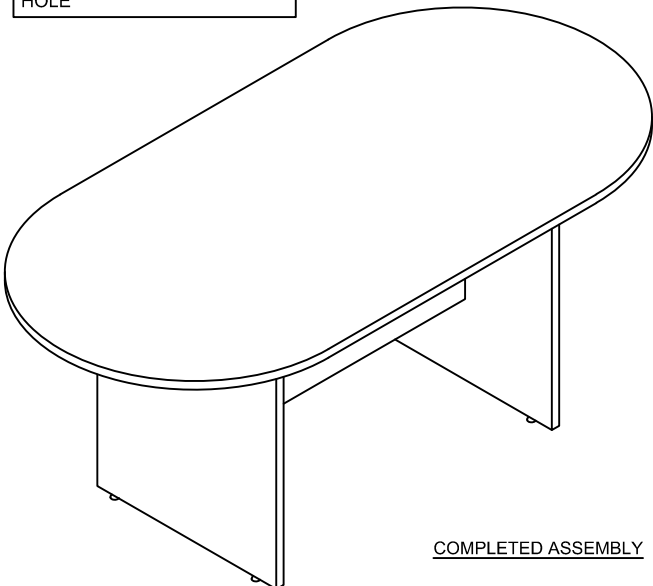
STEP1



**IMPORTANT:
 FUNCTION OF KLIX CAM**

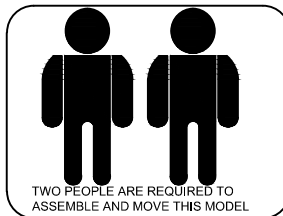
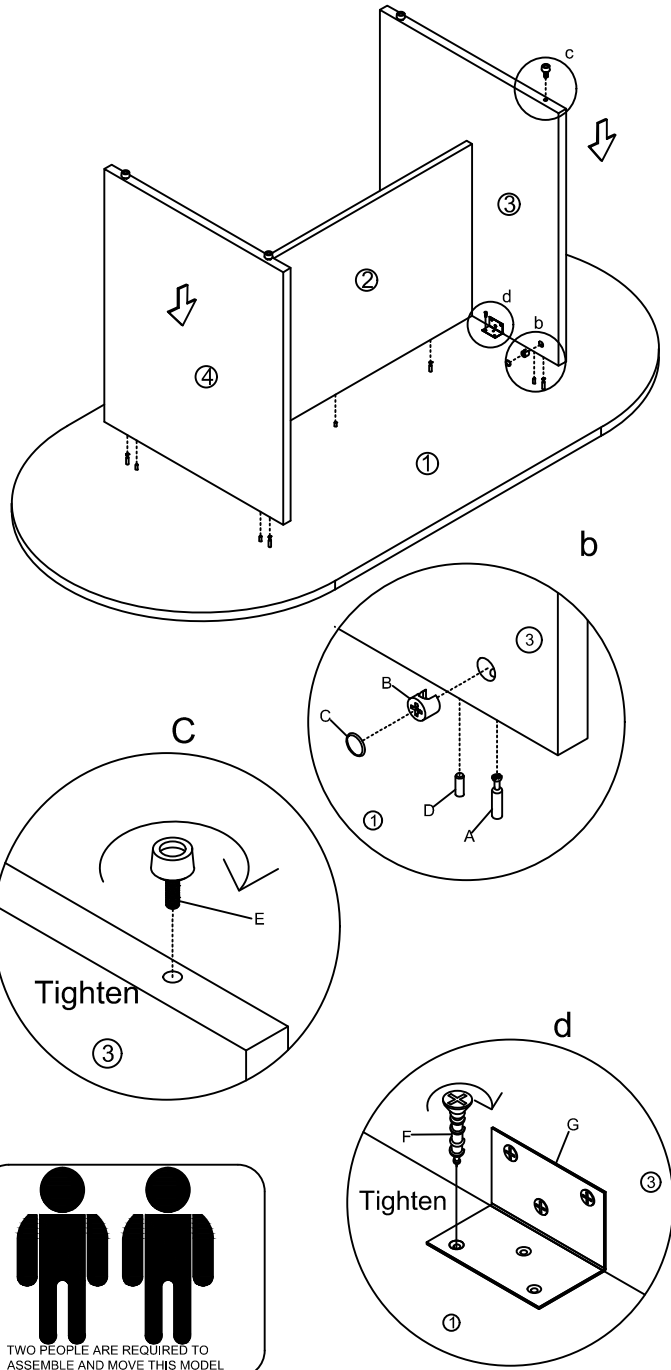
 1/4 RIGHT
 TURN FOR
 LOCKING

MAKE SURE THE ARROW IS
 POING UPWARDS BEFORE
 INSERTING INTO THE PANELS
 HOLE



COMPLETED ASSEMBLY

STEP2



IMPORTANT NOTE:

- Place all laminated parts on a clean and smooth surface such as a rug or carpet to avoid the parts from being scratched.
- Check to be sure that you have all parts and hardware.
- Remove all wrapping materials, including staples & packing straps before you start to assemble.
- Don't tighten all screws/bolts until all completely assembled.
- Keep all hardware parts out of reach of children
- If the product is not working properly, is missing a part, is damaged, or if you have any questions, please call customer service hotline before returning.
- Customer Service Hotline: 1-800-593-1888 For further assembly instructions, please visit our website at www.boschair.com