


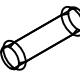

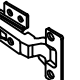

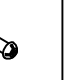



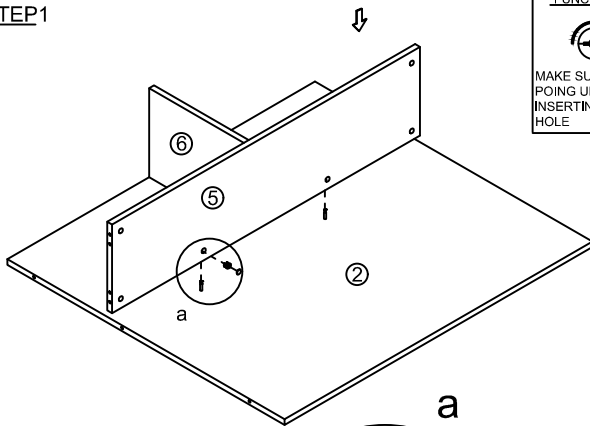
Assembly Instructions


MODEL NO.: N339

HUTCH W/2 DOORS

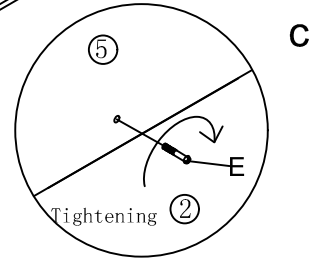
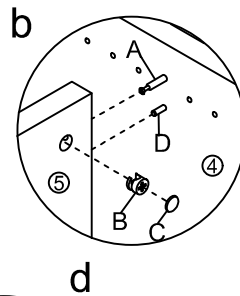
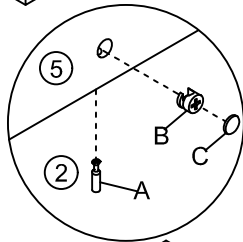
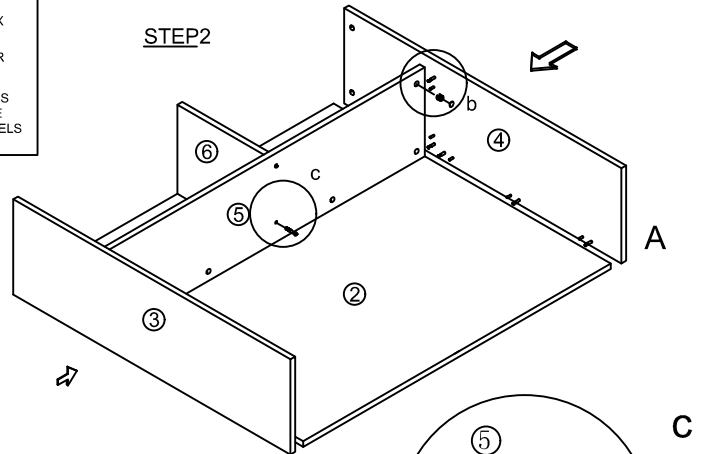
TUN010CL	TUN011KC		TUN026	TUN017SC	TUN022DH	TUN023DH	TUN017SC	TUN018SC
A  Cam lock 21+1pcs	B  Klix Cam 21+1pcs	C  Cam Cover 21+1pcs	D  Dowel 18+1Pcs	E  JCBC Black Grommet 2+1pcs	F  Center door hinge 4pcs	H  Side Door Hinge 4pcs	I  JCBC Black Grommet 2pcs	J  Screw #4 5/8" 32Pcs+1Pcs(spare)

STEP1

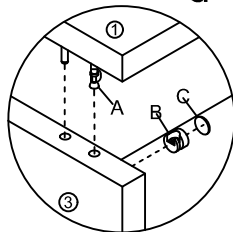
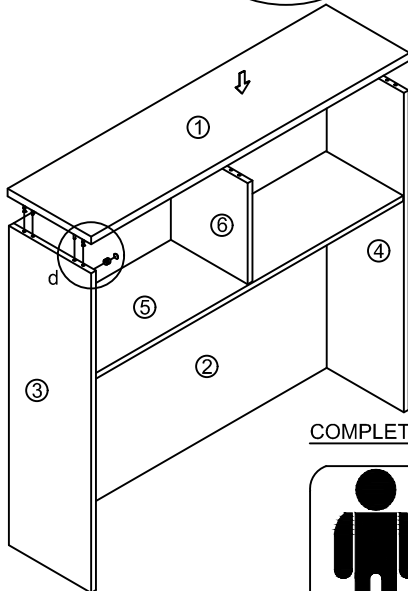


IMPORTANT:
FUNCTION OF KLIX CAM
1/4 RIGHT
TURN FOR
LOCKING

MAKE SURE THE ARROW IS
POINTING UPWARDS BEFORE
INSERTING INTO THE PANELS
HOLE

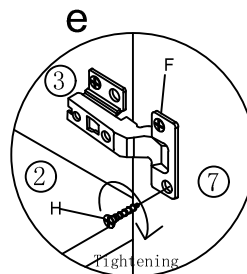
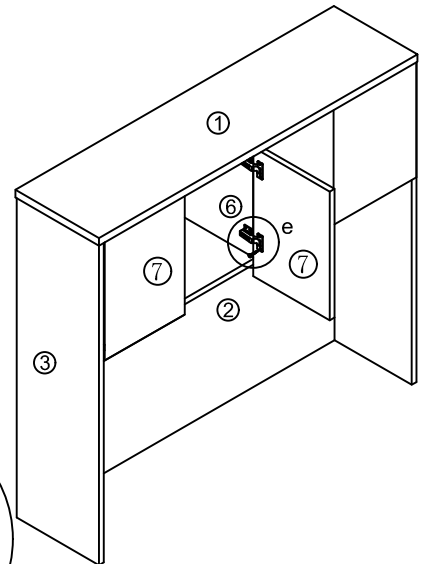
STEP2



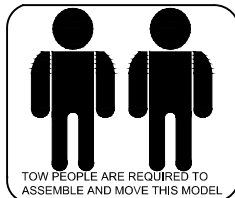
STEP3



STEP3



COMPLETED ASSEMBLY



IMPORTANT NOTE:

- Place all laminated parts on a clean and smooth surface such as a rug or carpet to avoid the parts from being scratched.
- Check to be sure that you have all parts and hardware.
- Remove all wrapping materials, including staples & packing straps before you start to assemble.
- Don't tighten all screws/bolts until all completely assembled.
- Keep all hardware parts out of reach of children
- If the product is not working properly, is missing a part, is damaged, or if you have any questions, please call customer service hotline before returning.
- Customer Service Hotline: 1-800-593-1888 For further assembly instructions, please visit our website at www.boschair.com