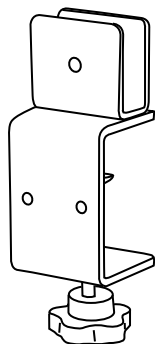


MODEL : NP02

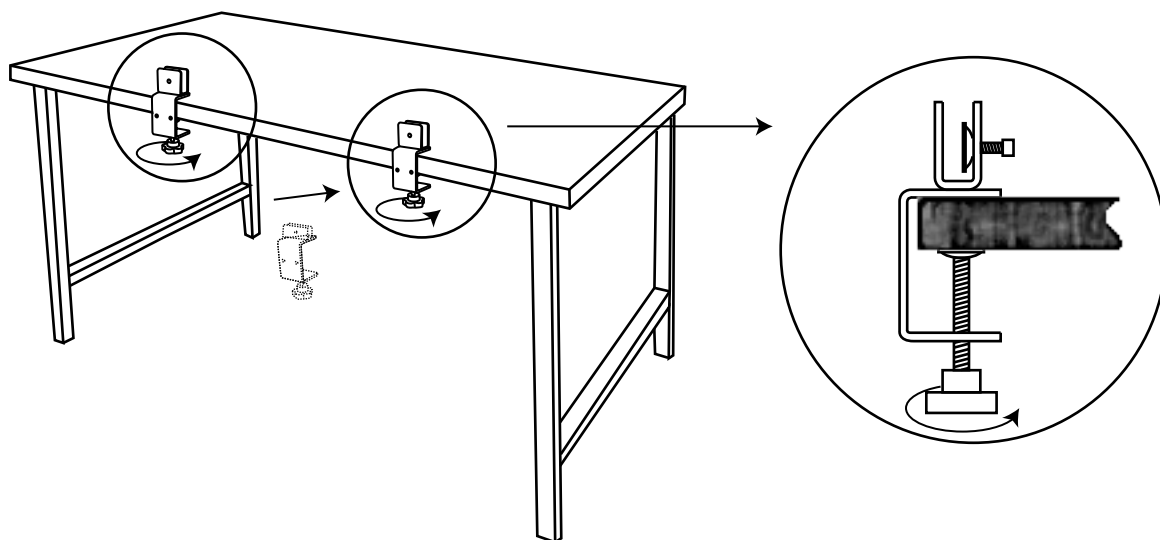
(1)x2



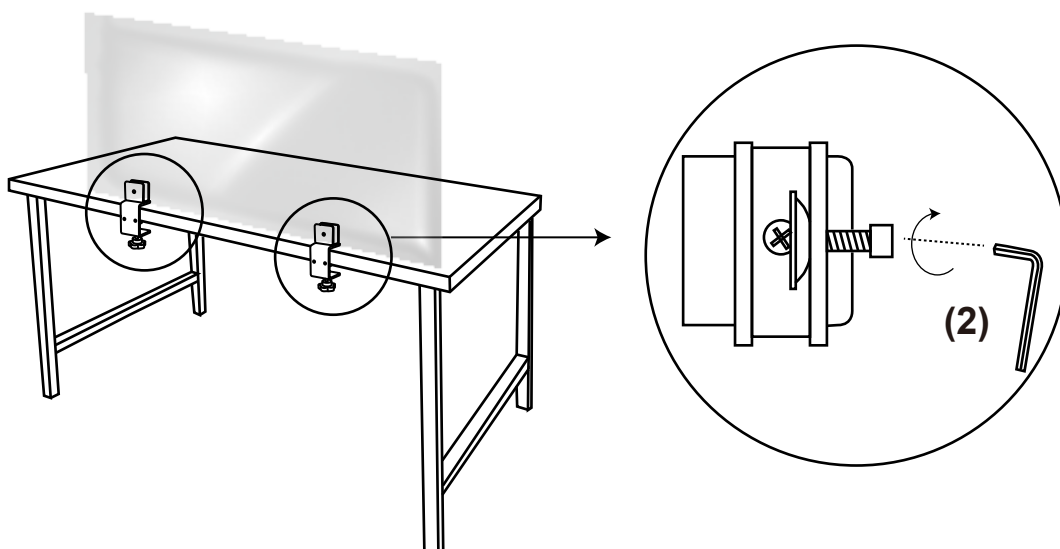
(2)x1



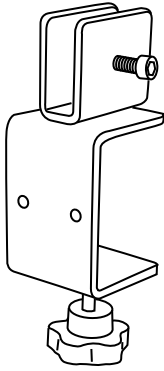
1



2



(1)x2

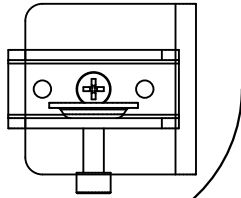
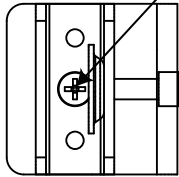


(2)x1



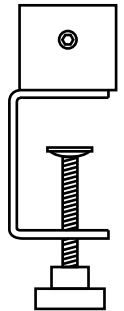
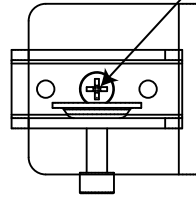
1

Using Phillips Screwdriver
loosen the screw

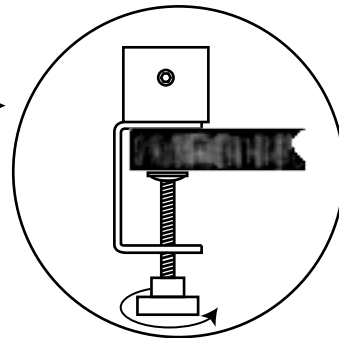
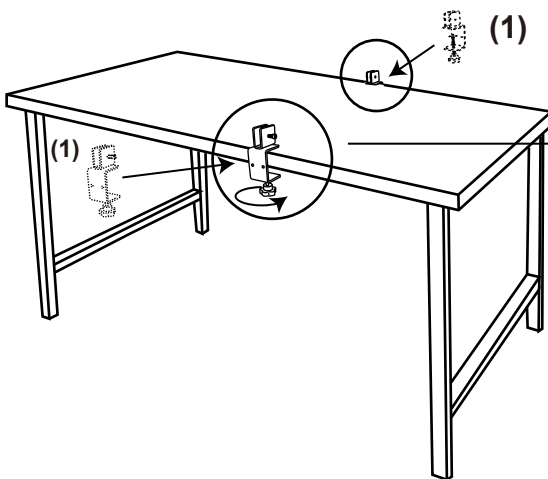


Twist 90°

Using Phillips Screwdriver
tighten the screw



2



3

