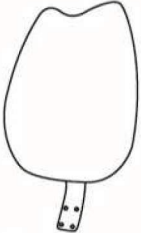
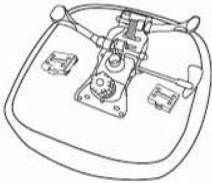


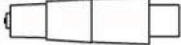

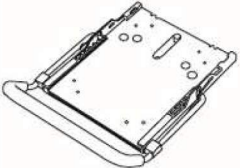
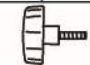

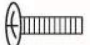
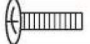
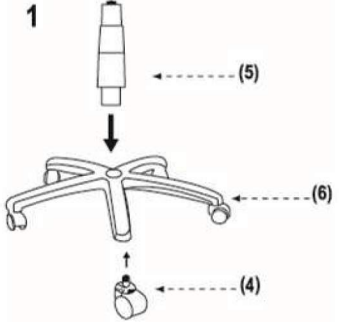


SEAT SLIDER ASSEMBLY INSTRUCTIONS

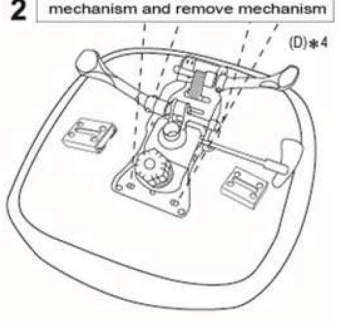
(1)*1  Back Cushion	(2)*1  Seat Cushion W/Mechanism	(3)*1 (L)*1 (R)  Left-Arm Right-Arm
(4)*5  Caster	(5)*1  Gas Lift W/ Cover	(6)*1  Nylon Base
(7)*1  Seat Slider		
(A)*2  M8 ARM BRACKET SCREW	(B)*3  5/16" * 1" L-BAR SCREW	(C)*4  1/4" * 1/2" IN SEAT SLIDER
(D)*4  1/4" * 1" ATTACHED TO MECHANISM		

1



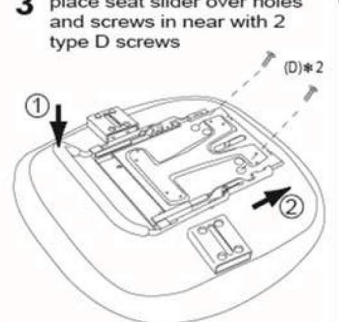
remove 4 type D screws from mechanism and remove mechanism

2



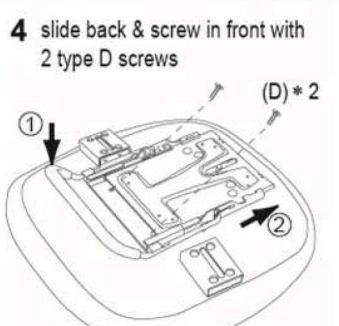
place seat slider over holes and screws in near with 2 type D screws

3



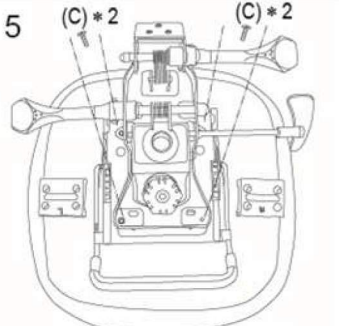
attach back and screw in with 3 type B screws

4



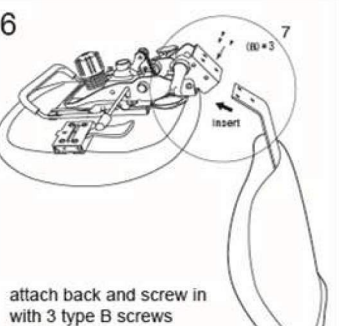
slide back & screw in front with 2 type D screws

5



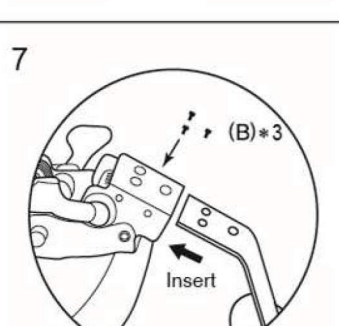
place mechanism over slider & screw in with 4 type C screws

6

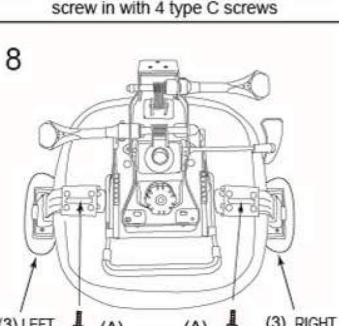


attach arms & screw in with type A screws

7

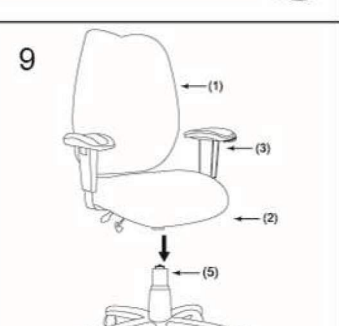


8



attach arms & screw in with type A screws

9



Insert and loosely tighten all screws. When assembly is completed, fully tighten all screws before using. This chair is only intended for sitting. Any other use will void the warranty.