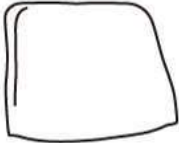

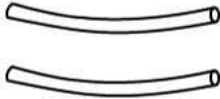
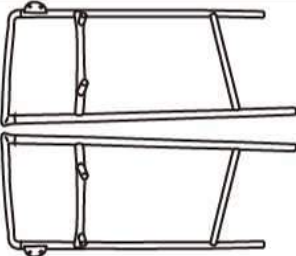
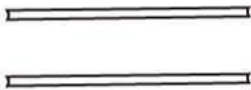
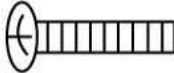
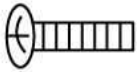
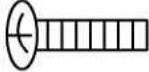
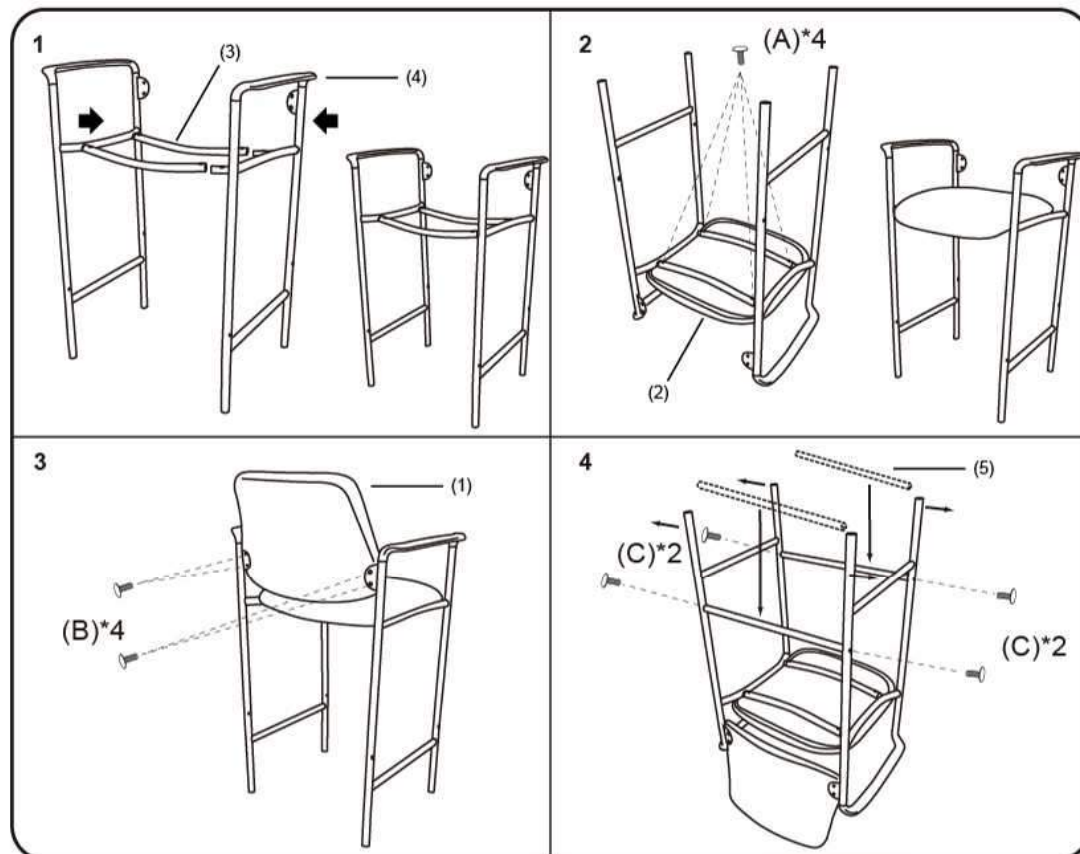


MODEL : B169503

(1)x1	(2)x1	(3)x2
		
BACK	SEAT	CONNECTING BAR
(4)x2		(5)x2
		
Right Frame & Left Frame		CONNECTING BAR
(A)x4		M6*36
(B)x4		M6*22
(C)x4		M6*30



PLEASE NOTE: Do not fully tighten all screws until chair is fully assembled.
 Failure to do so will cause holes to not line up properly. Please insert and loosely tighten all screws and when assembly is complete and before use, fully tighten all screws while chair is sitting with legs on flat surface.
 This chair is only intended for sitting and any other use will void the warranty.
 Thank you for your business

