





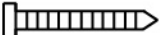
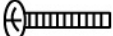

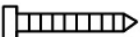




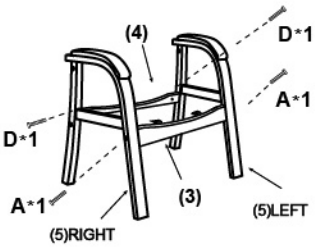
**IMPORTANT NOTICE:  
HARDWARE PACKAGE IS ATTACHED  
ON THE BOTTOM OF SEAT CUSHION.**

**MODEL: AELD40 / B8999**

(1)X1  Back	(2)X1  Seat	(3)X1  WF031-FB Front Bar
(4)X1  WF031-BB Back Bar	(5)X1 (L)  WF031-RF Wood Frame-Right	(5)X1 (R)  WF031-LF Wood Frame-Left

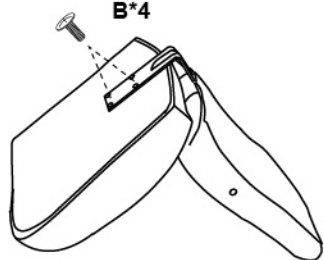
- (A)x2  **M6\*65 Front Frame**
- (B)x4  **M6\*25 L-bar**
- (C)x2  **M6\*20 Front Bar**
- (D)x4  **M6\*35 Back Frame**
- (E)x6  **Insert Caps**
- (F)x1  **Allen key**

**1**

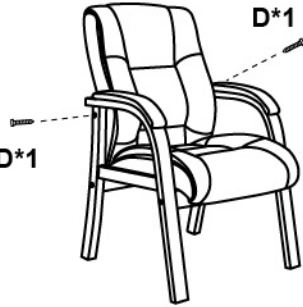


**Note: Lightly tighten all screws.**

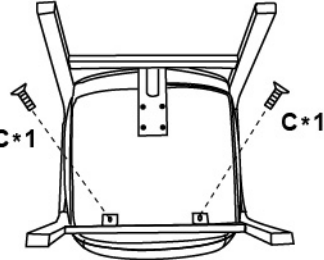
**2**



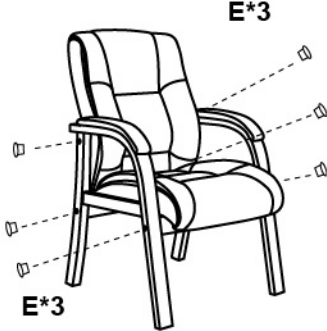
**3**



**4**



**5**



**NOTE: Before insert all 6 (E) wood caps to screw holes:  
I. Tighten ALL 6 screws on step 4, then insert ALL 6 (D) wood caps to finish.**

**Insert and loosely tighten all screws. When assembly is completed, fully tighten all screws before using. This chair is only intended for sitting. Any other use will void the warranty.**

