


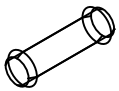


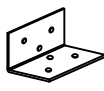
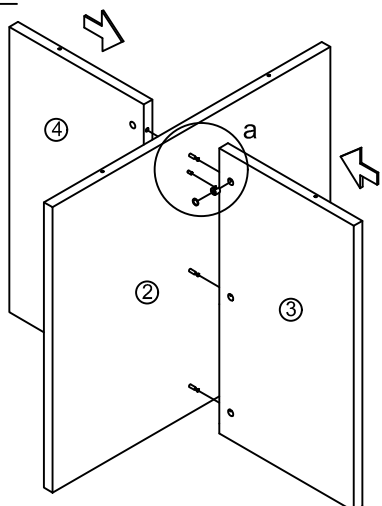


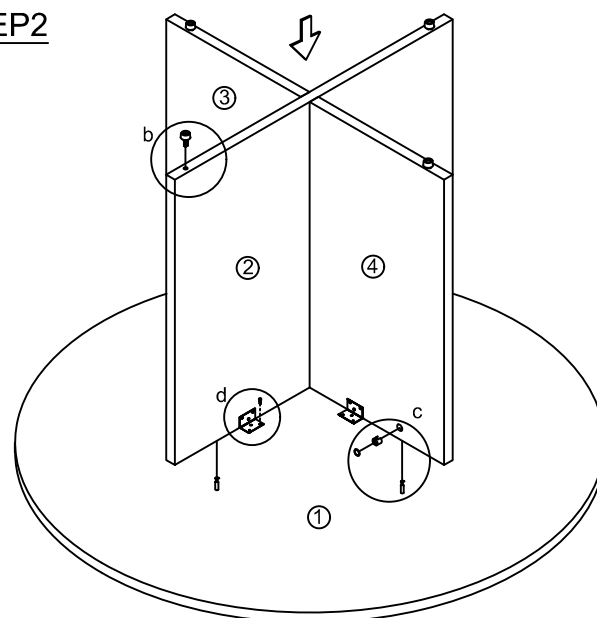
Assembly Instructions
MODEL NO.:N127
 ROUND TABLE

TUN010CL	TUN011KC		TUN026	TUN021AG	TUN018SC	TUN013LB
A  Cam lock 10pcs+1pcs	B  Klix Cam 10pcs+1pcs	C  Cam Cover 10pcs+1pcs	D  Dowel 4Pcs+1Pcs(spare)	E  Adjustable Glide 4 PCS	F  screw#4*5/8" 24Pcs+1Pcs(spare)	G  6Hole L-Bracket 4Pcs

STEP1

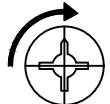


STEP2



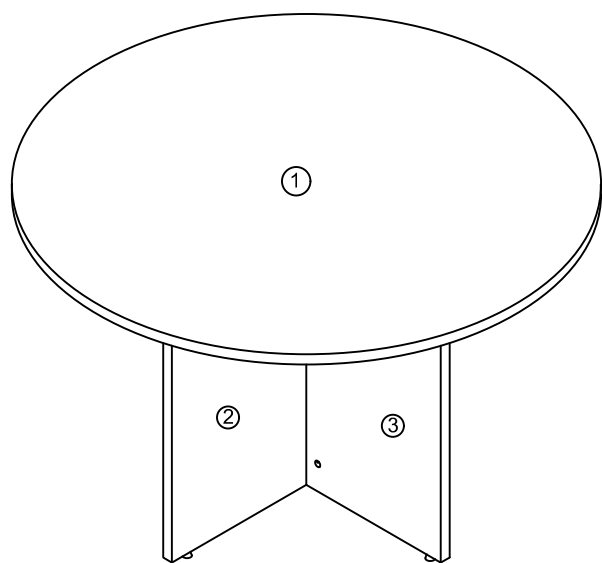
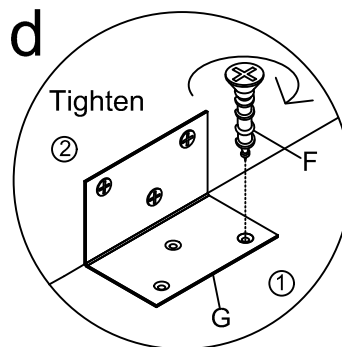
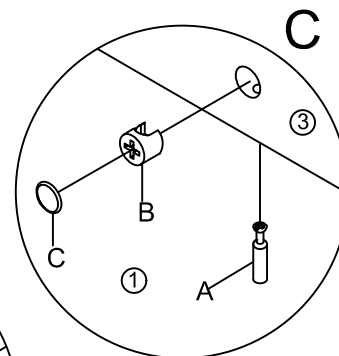
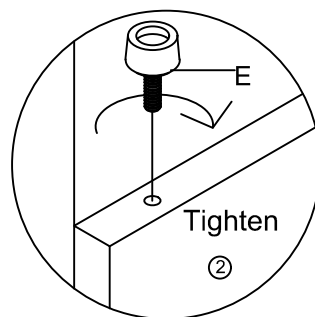
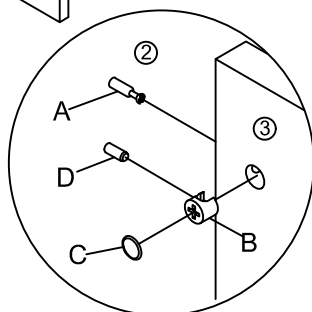
IMPORTANT:

FUNCTION OF KLIX CAM



1/4 RIGHT
TURN FOR
LOCKING

Make Sure The Arrow Is
Pointing Upwards Before
Inserting Into The Panel's Hole



COMPLETED ASSEMBLY

IMPORTANT NOTE:

- Place all laminated parts on a clean and smooth surface such as a rug or carpet to avoid the parts from being scratched.
- Check to be sure that you have all parts and hardware.
- Remove all wrapping materials, including staples & packing straps before you start to assemble.
- Don't tighten all screws/bolts until all completely assembled.
- Keep all hardware parts out of reach of children
- If the product is not working properly, is missing a part, is damaged, or if you have any questions, please call customer service hotline before returning.
- Customer Service Hotline: 1-800-593-1888 For further assembly instructions, please visit our website at www.bosschair.com