


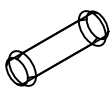
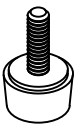
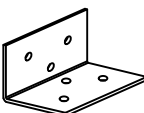


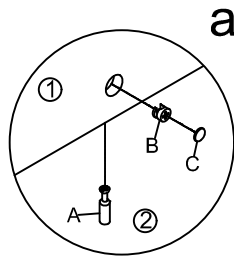
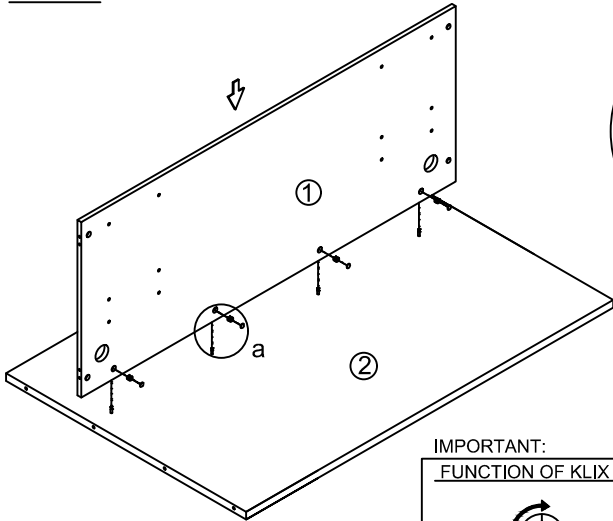


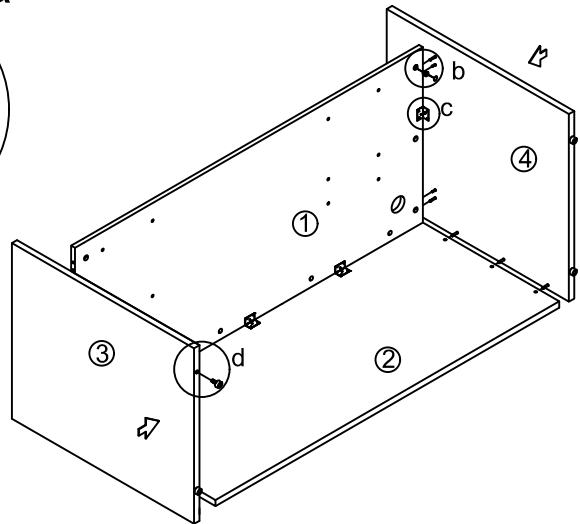
Assembly Instructions
MODEL NO.:N169
 GALLERY DESK

TUN010CL	TUN010KL		TUN026	TUN021AG	TUN013LB	TUN018SC	TUN015BG
A  Cam lock 23Pcs+1Pc(spare)	B  Klix Cam 23Pcs+1Pc(spare)	C  Cam Cover 28Pcs+1Pc(spare)	D  Dowel 9Pcs+2Pc(spare)	E  Adjustable Glide 4 PCS	F  6Hole L-Bracket 6Pcs	G  screw#4"5/8" 37Pcs+1Pc(spare)	H  80mm Black Grommet 2 PCS

STEP1



STEP2



IMPORTANT:

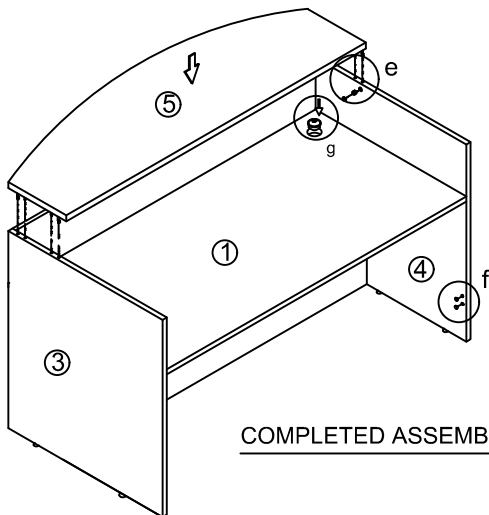
FUNCTION OF KLIX CAM



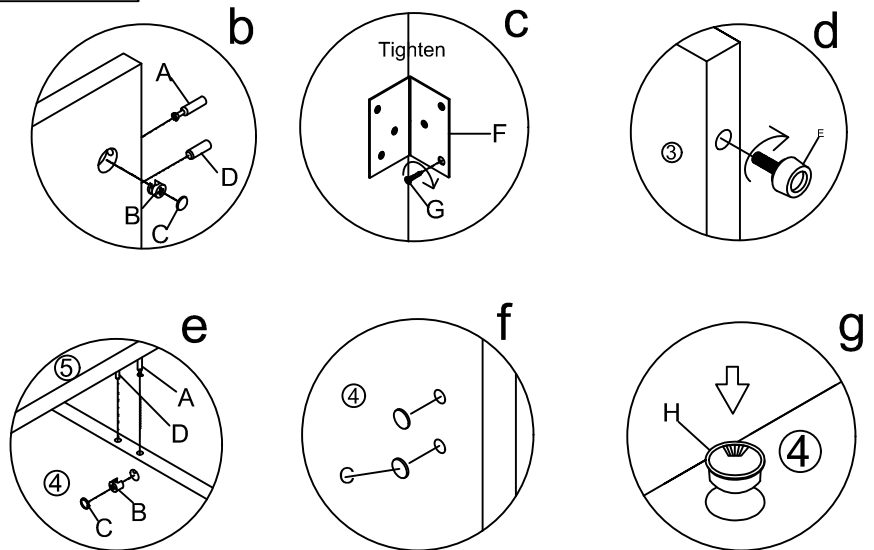
1/4 RIGHT
TURN FOR
LOCKING

MAKE SURE THE ARROW IS
POING UPWARDS BEFORE
INSERTING INTO THE PANELS
HOLE

STEP3



COMPLETED ASSEMBLY



IMPORTANT NOTE:

- Place all laminated parts on a clean and smooth surface such as a rug or carpet to avoid the parts from being scratched.
- Check to be sure that you have all parts and hardware.
- Remove all wrapping materials, including staples & packing straps before you start to assemble.
- Don't tighten all screws/bolts until all completely assembled.
- Keep all hardware parts out of reach of children
- If the product is not working properly, is missing a part, is damaged, or if you have any questions, please call customer service hotline before returning.
- Customer Service Hotline: 1-800-593-1888 For further assembly instructions, please visit our website at www.bosschair.com