
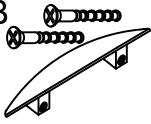
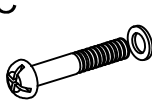
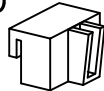


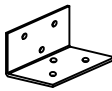



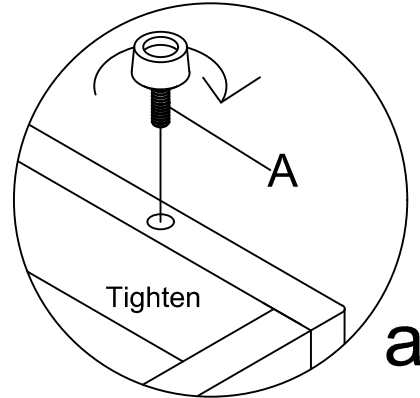
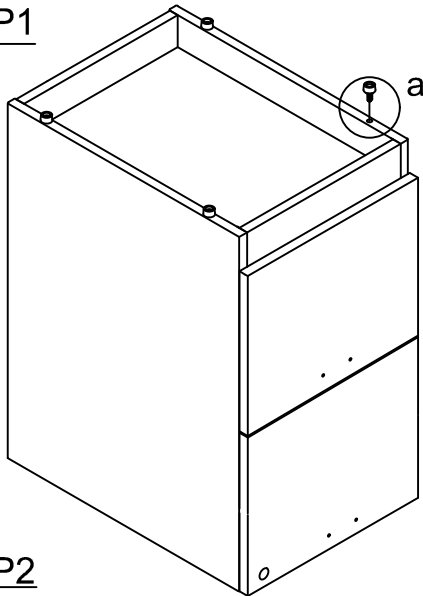
# Assembly Instructions

## MODEL NO.:N176

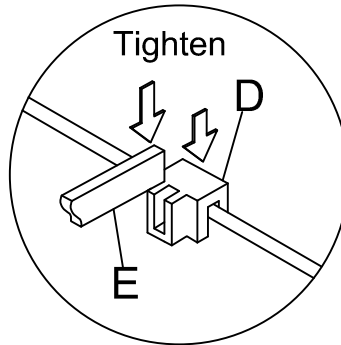
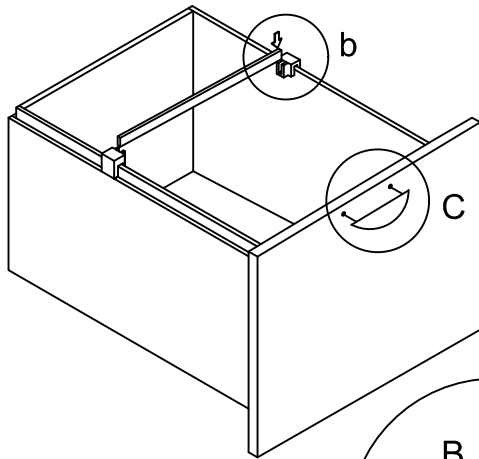
### FILE/FILE PEDESTAL

TUN030AG	TUN005MH	TUN027SC	TUN001FC	TUN002AB	F	TUN013LB	TUN018SC
<b>A</b>  Adjustable Glide 4 Pcs	<b>B</b>  32mm Metal scallop shape Handle 2Sets	<b>C</b>  Screw M6×40mm 4sets	<b>D</b>  File clip 4Pcs	<b>E</b>  METAL BAR 2Pcs	<b>F</b>  Keys 1set	<b>G</b>  6Hole L-Bracket 4Pcs	<b>H</b>  Screw#4 24Pcs+1Pc(spare)

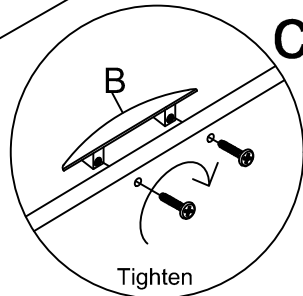
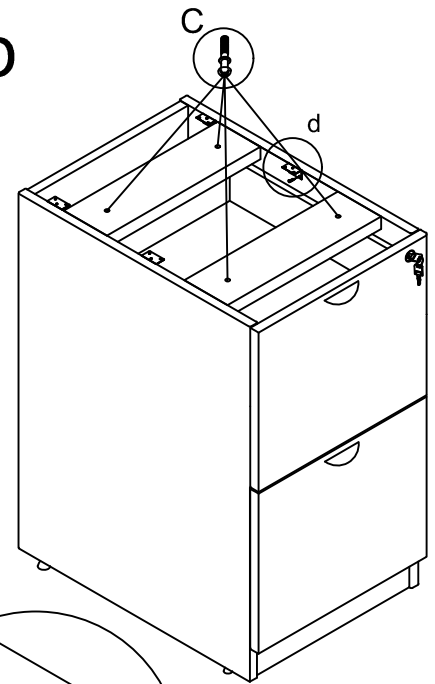
#### STEP1



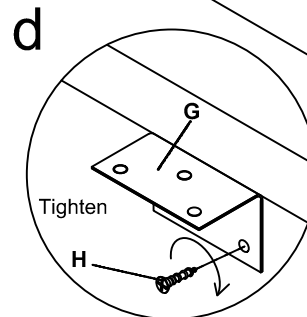
#### STEP2



**b**



**c**



**d**

#### COMPLETED ASSEMBLY

#### IMPORTANT NOTE:

- Place all laminated parts on a clean and smooth surface such as a rug or carpet to avoid the parts from being scratched.
- Check to be sure that you have all parts and hardware.
- Remove all wrapping materials, including staples & packing straps before you start to assemble.
- Don't tighten all screws/bolts until all completely assembled.
- Keep all hardware parts out of reach of children
- If the product is not working properly, is missing a part, is damaged, or if you have any questions, please call customer service hotline before returning.
- Customer Service Hotline: 1-800-593-1888 For further assembly instructions, please visit our website at [www.bosschair.com](http://www.bosschair.com)