


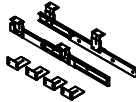



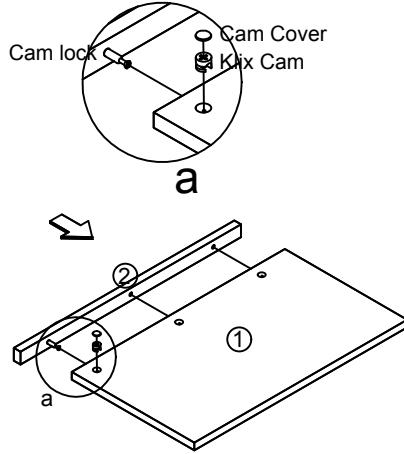
Assembly Instructions

MODEL NO.: DD-KEYBOARD

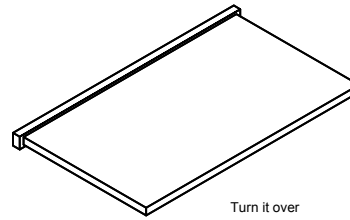
KEYBOARD TRAY

TUN010CL	TUN011KC			
 Cam lock 3pcs	 Klix Cam 3pcs	 Cam Cover 3pcs	 Slide 1Set	 Screw #3*12 12Pcs

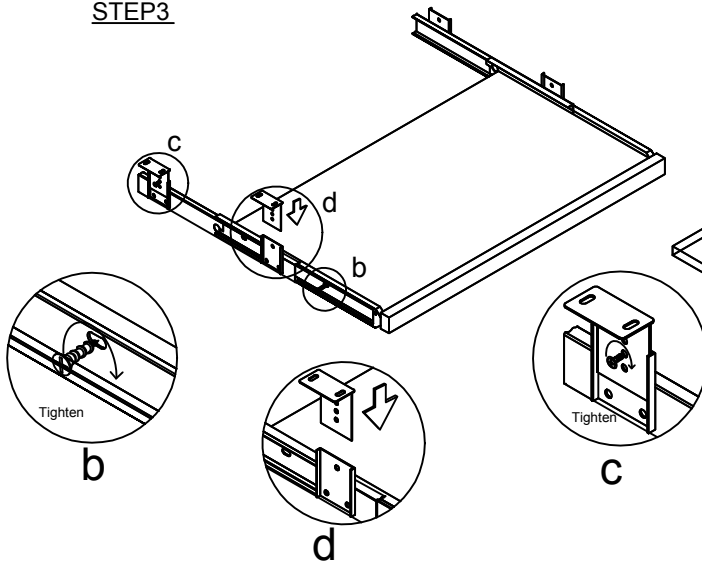
STEP1



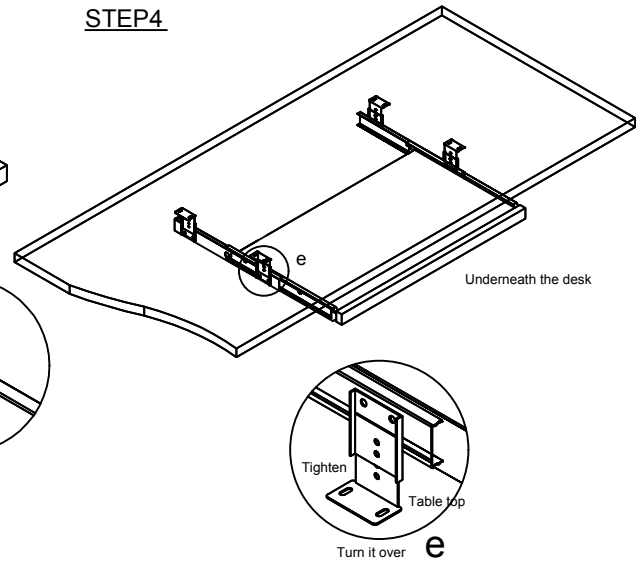
STEP2




STEP3



STEP4



IMPORTANT:
FUNCTION OF KLIX CAM

 1/4 RIGHT
 TURN FOR
 LOCKING
 MAKE SURE THE ARROW IS
 POINTING UPWARDS BEFORE
 INSERTING INTO THE PANELS
 HOLE

IMPORTANT NOTE:

- Place all laminated parts on a clean and smooth surface such as a rug or carpet to avoid the parts from being scratched.
- Check to be sure that you have all parts and hardware.
- Remove all wrapping materials, including staples & packing straps before you start to assemble.
- Don't tighten all screws/bolts until all completely assembled.
- Keep all hardware parts out of reach of children
- If the product is not working properly, is missing a part, is damaged, or if you have any questions, please call customer service hotline before returning.
- Customer Service Hotline: 1-800-593-1888 For further assembly instructions, please visit our website at www.boschair.com