




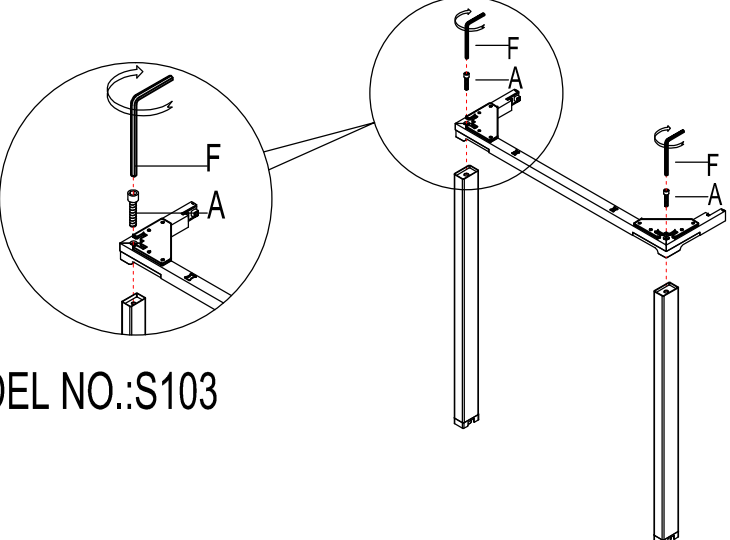


Assembly Instructions

MODEL NO.:S101+S103 / S102+S103

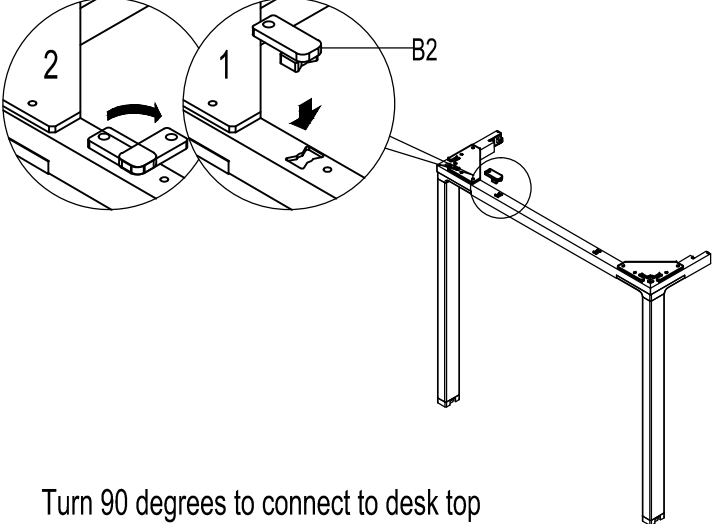
A	B	F	E	B2
				
M8*35 3PCS	M8*15 3PCS	M6 1PCS	M4*19 6PCS	5PCS

1.



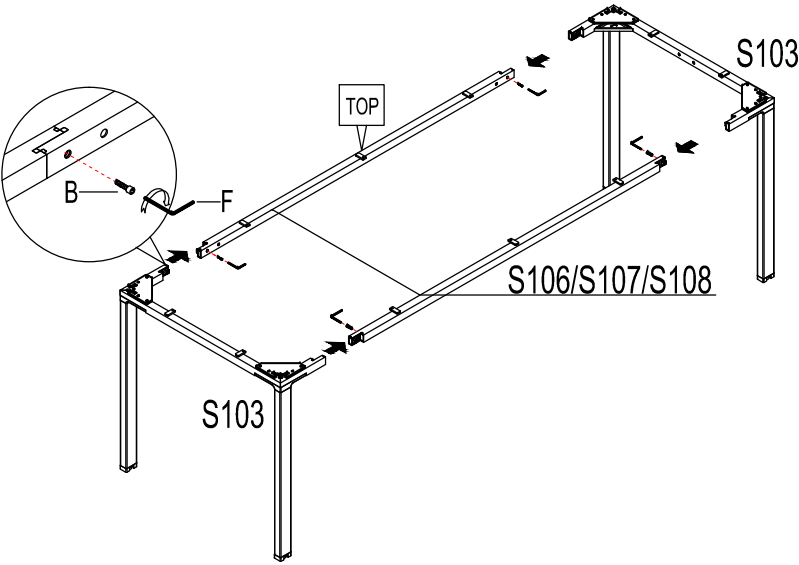
MODEL NO.:S103

2.



Turn 90 degrees to connect to desk top

3.



4. Desk Top
S101: 59"W*23.6"D
S102:66"W*23.6"D

