




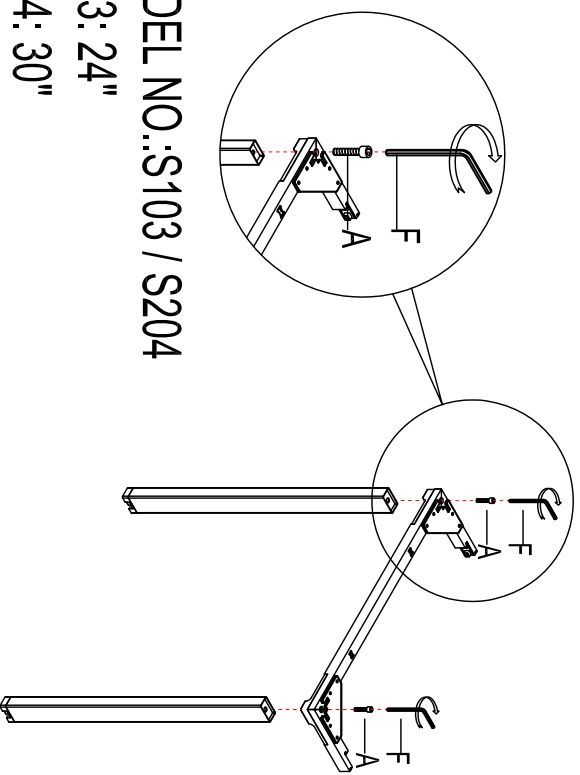


Assembly Instructions

MODEL NO.:S103,S204

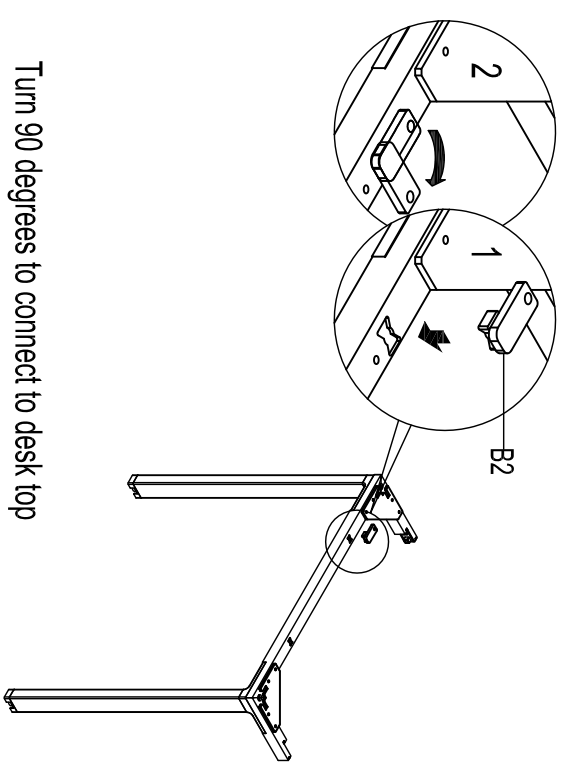
A	B	F	E	B2
				
M8*35 3PCS	M8*15 3PCS	M6 1PCS	M4*19 6PCS	5PCS

1.



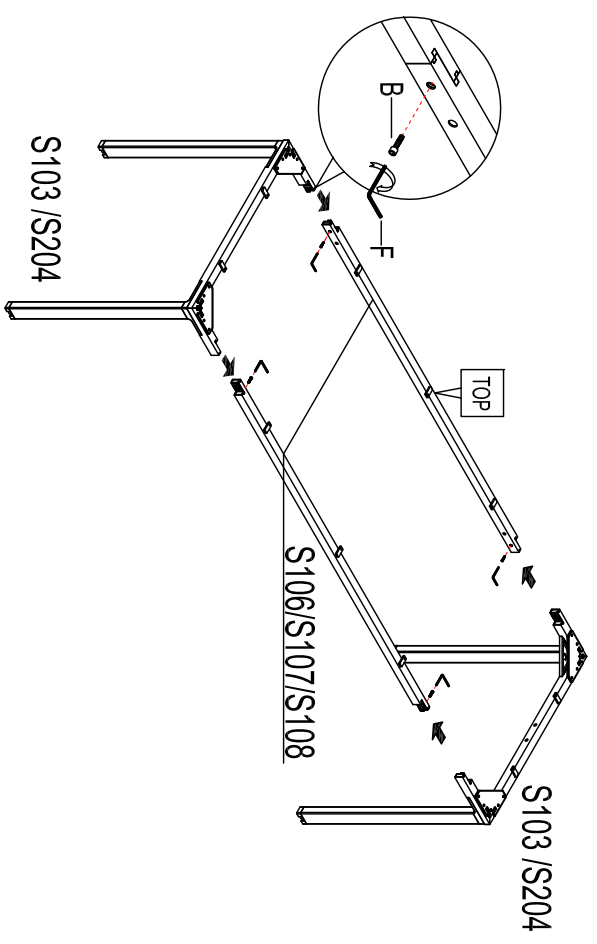
MODEL NO.:S103 / S204
S103: 24"
S204: 30"

2.



Turn 90 degrees to connect to desk top

3.



4.

