




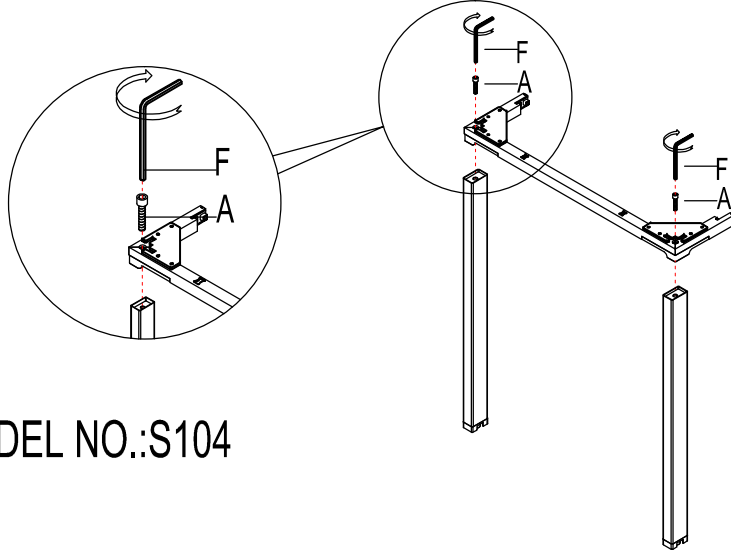


Assembly Instructions

MODEL NO.:S201+S204 / S202+S204 / S203+S204

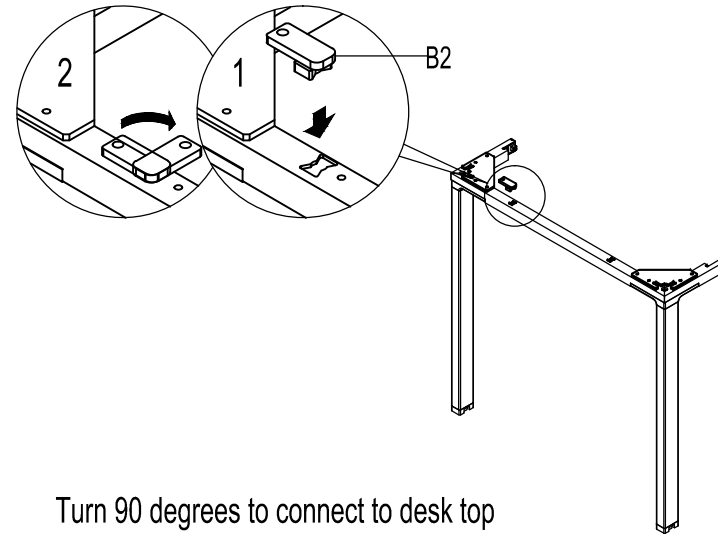
| | | | | |
|-----------------------------------------------------------------------------------|-----------------------------------------------------------------------------------|-------------------------------------------------------------------------------------|-------------------------------------------------------------------------------------|-------------------------------------------------------------------------------------|
| A | B | F | E | B2 |
|  |  |  |  |  |
| M8*35 3PCS | M8*15 3PCS | M6 1PCS | M4*19 6PCS | 5PCS |

1.



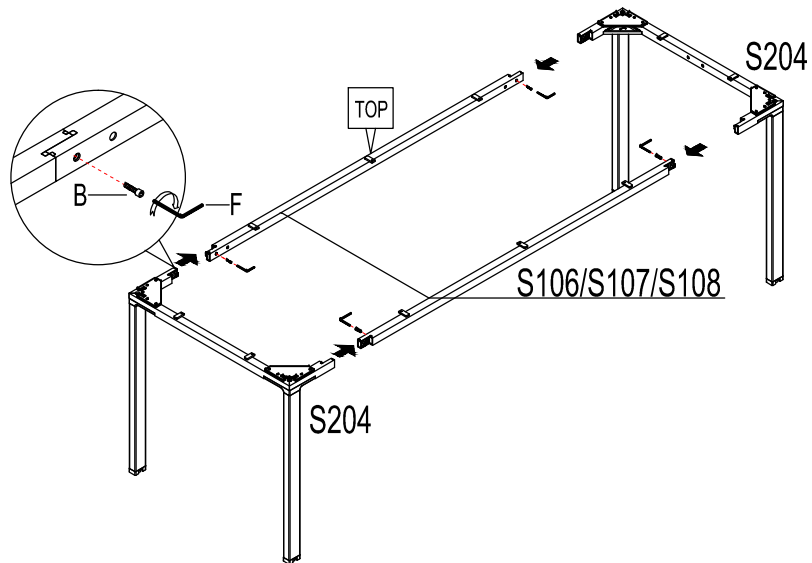
MODEL NO.:S104

2.



Turn 90 degrees to connect to desk top

3.



4.

Desk Top
 S201: 59"W*29.5"D
 S202:66"W*29.5"D
 S203:71"W*29.5"D

