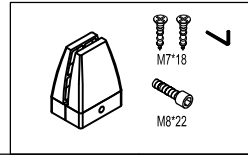
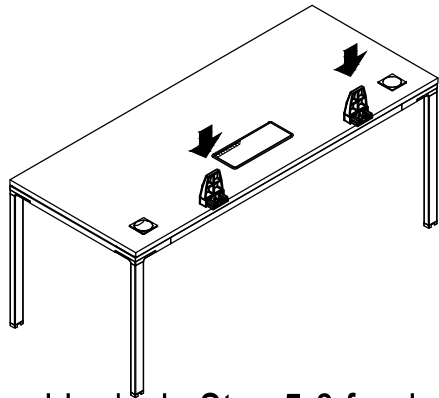


Assembly Instructions
MODEL NO.: S302 S303 S309, S310, S311, S312

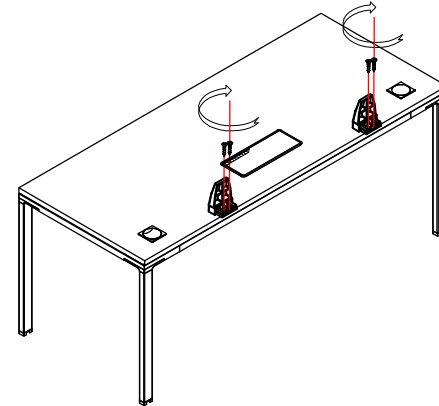


1

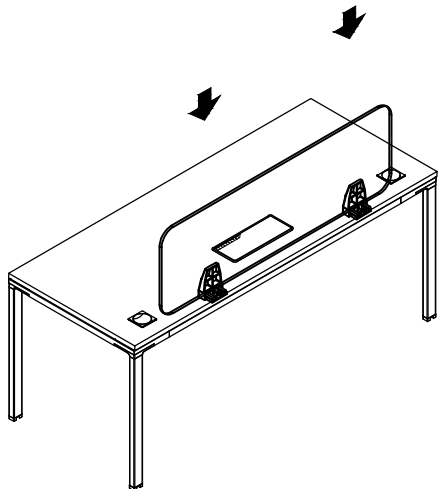


Step 1-4 for one side desk, Step 5-8 for double side desk.

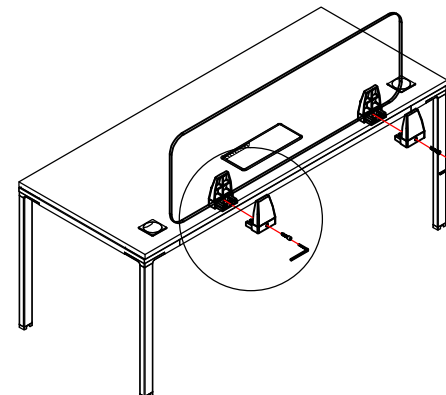
2



3

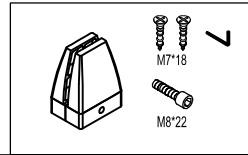


4

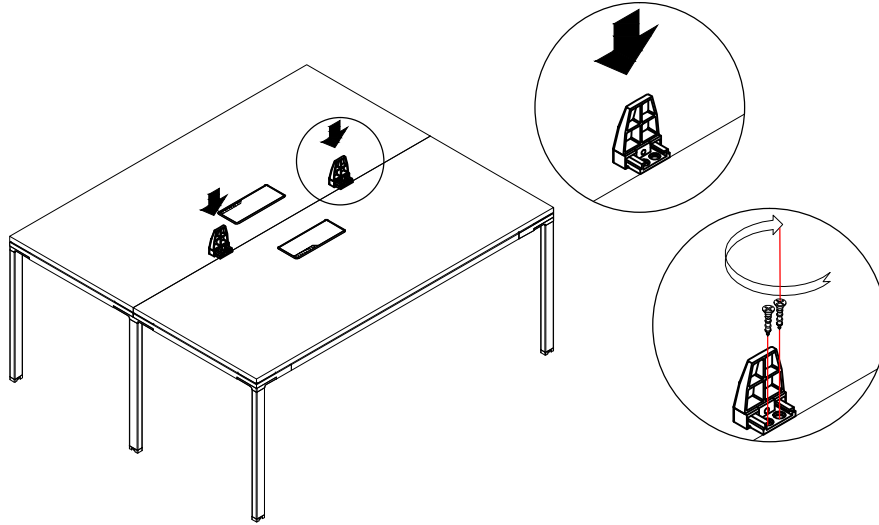


Assembly Instructions

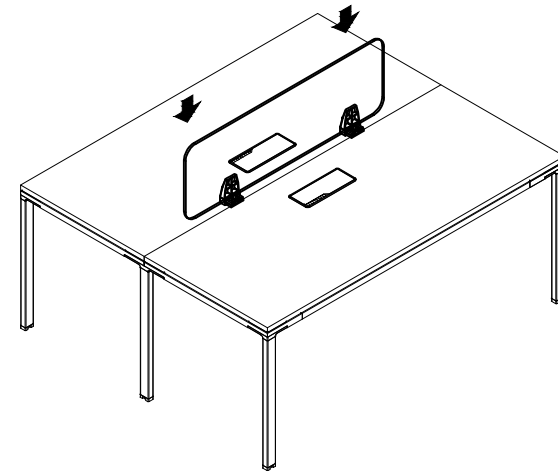
MODEL NO.:S302 S303



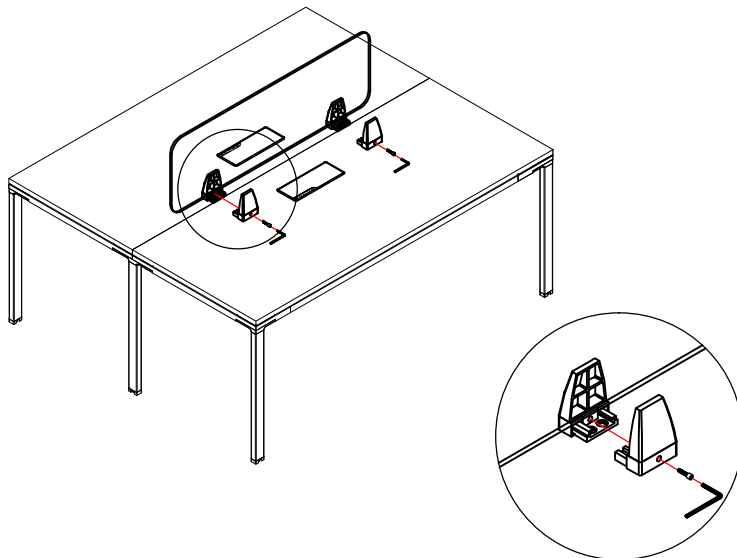
5



6



7



8

